



Member of the Phoenix Contact Group

C A Series

Shielded Connectors M23

Connectors M23 Series CA

Technical Data



Shell material

Machined components: Copper-Zinc alloy (CuZn)
 die cast components: Zinc (GD-Zn)
 Shell plating: Nickel (Ni) plated
 Cable entry: max. 14.5 mm



Insulator

Connector inserts: Thermoplastic polyester (PBT), Polyamid (PA66),

Contacts

Contact material: Copper-Zinc alloy (CuZn)
 Contact plating: Nickel (Ni) with gold (Au) passivated
 Contact termination: Solder cup, crimp type, screw type, dip solder



Sealing

Sealing rings: Fluor rubber (FPM)
 Gaskets: Fluor rubber (FPM), or Perbunan (NBR) stiffened gaskets

Temperature

Temperature (long term) Celsius: - 40 °C up to +125°C
 Temperature (long term) Fahrenheit: - 40 °F up to + 257 °F



Mating

Female coupling nuts: M23 screw locking/Speedcon
 Male receptacles: M23 screw locking/Speedcon
 Mating cycles: Standard min. 50





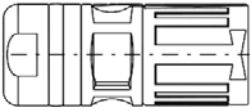
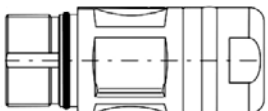
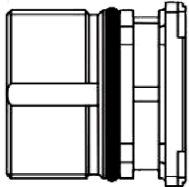
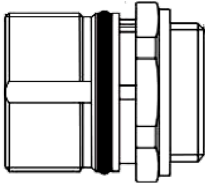
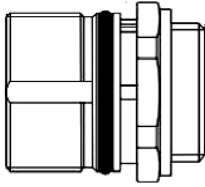
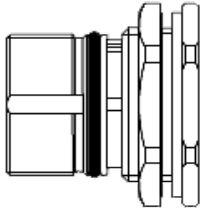
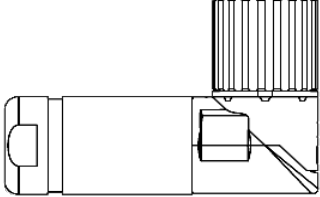
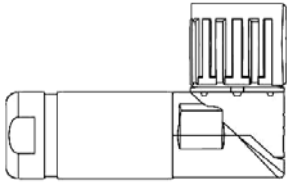

Protection

Protection class : IP 67 (mated) depends on which cable gland is used

Number of positions	6,7	9 (8+1)	9 (6+3)	12	16	17	19 (16+3)
Number of contacts	6,7	8 1	6 3	12	16	17	16 3
Contact dia. (mm Ø)	2	1 2	1 2	1	1	1	1 1.5
Rated current at 25°C (A)	20	8 20	8 20	8	8	8	8 10
Rated voltage (V)	250	150	150	150	150	150	150
Test voltage (Volt AC)	2,500	1,500	1,500	1,500	1,500	1,500	1,500
Overvoltage category DIN EN 61984-2001	II	II	II	II	II	II	II
Insulation resistance (Ω)	≥10 ¹⁶	≥10 ¹⁶	≥10 ¹²	≥10 ¹²	≥10 ¹²	≥10 ¹²	≥10 ¹²
Contact resistance (mΩ)	≤3	≤3	≤3	≤3	≤3	≤3	≤3
Pollution degree acc. to IEC 664-1	2 (3 ¹)	2 (3 ¹)	2 (3 ¹)	2 (3 ¹)	2 (3 ¹)	2 (3 ¹)	2 (3 ¹)
Contact resistance (mΩ)	≤3	≤3	≤3	≤3	≤3	≤3	≤3
Pollution degree acc. to IEC 664-1	2 (3 ¹)	2 (3 ¹)	2 (3 ¹)	2 (3 ¹)	2 (3 ¹)	2 (3 ¹)	2 (3 ¹)

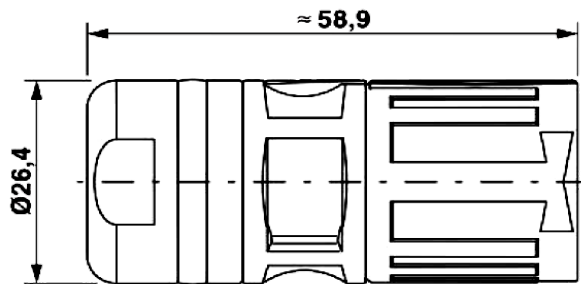
Shielded Connectors M23 Series CA
Shell styles 8, 8S, 9, 2, 6, H, T0



CA-xxxxxxx80xxS page C-L-04	CA-xxxxxxx80xx page C-L-05	CA-xxxxxxx90xx page C-L-06
Cable connector, straight with female coupling nut cable entry max. 14.5 mm \varnothing with universal shielding sleeve	Cable connector, straight with female coupling nut cable entry max. 14.5 mm \varnothing with universal shielding sleeve	Cable connector, straight with male thread cable entry 14.5 mm \varnothing with universal shielding sleeve
  style 8	 style 8	 style 9
CA-xxxxxxx2Sxx page C-L-07	CA-xxxxxxx6Y00 page C-L-08	CA-xxxxxxx6Zxx page C-L-09
front mount, straight square flange, gasket flange with holes male thread M23	front mount, straight round flange, gasket lock nut from the back M20 male thread M 23	front mount, straight round flange, gasket lock nut from the back PG 13.5 male thread M 23
 style 2S	 style 6Y	 style 6Z
CA-xxxxxxxHZxx page C-L-10	CA-xxxxxxxT0xx page C-L-11	CA-xxxxxxxT0xxS page C-L-12
rear mount, straight round flange, axial seal lock nut from the front male thread M 23	Cable connector, angled with female coupling nut cable entry max. 14.5 mm \varnothing with universal shielding sleeve	Cable connector, angled with female coupling nut cable entry max. 14.5 mm \varnothing with universal shielding sleeve
 style HZ	 style T0xx	  style T0xxS



Shielded Cable Connectors M23 Series CA
 fits all RC/UC/RF/CA Connectors with male outside thread
 Shell style 8xxS



Speedcon Version



Caps and accessories: pages B-H-01...
Mounting tools: pages B-E-01...
Assembly instructions: page B-D-14
Crimp tools for contacts: pages B-B-01...
Crimp contacts: pages B-C-01... (RC)

We also deliver as a connector set.
 Connector with crimp insert - and
 the contacts are
 separate included.
 Please ask for P/N

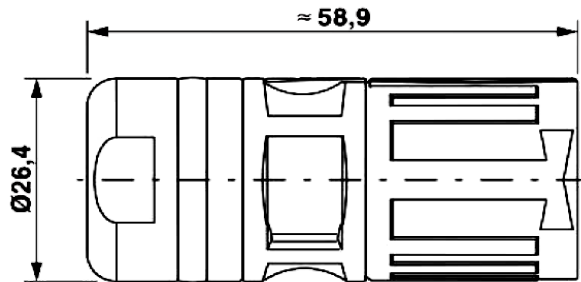
Part Number	CA-	x	x	x	x	x	x	x	8	0	x	x	S
-------------	-----	---	---	---	---	---	---	---	---	---	---	---	---

Here please fill in the first 7 digits
 of your desired RC connector insert
 (6-19 positions) from
 the page B-A-01
 to page B-A-29

Shielded cable connector with universal shielding sleeve			
Cable connector, straight	cable entry 3-14.5 mm \varnothing	D	N
Cable connector, straight	cable entry 4-6.0 mm \varnothing	0	6
Cable connector, straight	cable entry 6-10.0 mm \varnothing	0	7
Cable connector, straight	cable entry 10-14.5 mm \varnothing	0	8





Shielded Cable Connectors M23 Series CA
 fits all RC/UC/RF/CA Connectors with male outside thread
 Shell style 8xx



Caps and accessories: pages B-H-01...
Mounting tools: pages B-E-01...
Assembly instructions: page B-D-14
Crimp tools for contacts: pages B-B-01...
Crimp contacts: pages B-C-01... (RC)

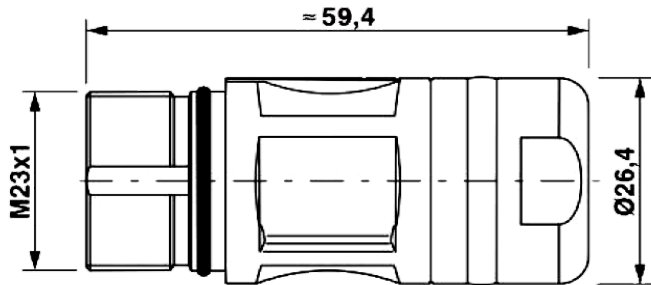
We also deliver as a connector set.
 Connector with crimp insert - and
 the contacts are
 separate included.
 Please ask for P/N



Part Number	CA-	x	x	x	x	x	x	x	8	0	x	x
	Here please fill in the first 7 digits of your desired RC connector insert (6-19 positions) from the page B-A-01  to page B-A-29											
Shielded cable connector with universal shielding sleeve												
Cable connector, straight	cable entry 3-14.5 mm Ø										D	N
Cable connector, straight	cable entry 4-6.0 mm Ø										0	6
Cable connector, straight	cable entry 6-10.0 mm Ø										0	7
Cable connector, straight	cable entry 10-14.5 mm Ø										0	8




Shielded Cable Connectors M23 Series CA
 fits all RC/UC/RF/CA Connectors with female coupling nut
 Shell style 9xx



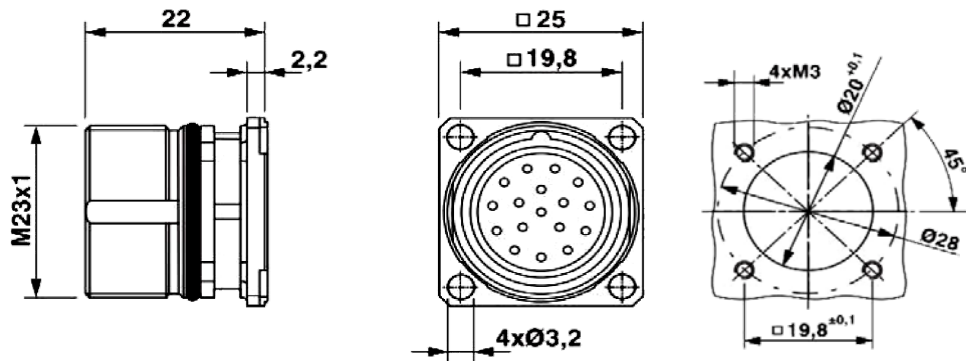
Caps and accessories: pages B-H-01...
Mounting tools: pages B-E-01...
Assembly instructions: page B-D-15
Crimp tools for contacts: pages B-B-01...
Crimp contacts: pages B-C-01... (RC)

We also deliver as a connector set.
 Connector with crimp insert - and
 the contacts are
 separate included.
 Please ask for P/N



Part Number	CA-	x	x	x	x	x	x	x	9	0	x	x	
	Here please fill in the first 7 digits of your desired RC connector insert (6-19 positions) from the page B-A-01  to page B-A-29												
Shielded cable connector with universal shielding sleeve													
Cable connector, straight	cable entry 3-14.5 mm Ø											D	N
Cable connector, straight	cable entry 4-6.0 mm Ø											0	6
Cable connector, straight	cable entry 6-10.0 mm Ø											0	7
Cable connector, straight	cable entry 10-14.5 mm Ø											0	8

Flange Connector front mount M23 Series CA
 fits all RC/UC/RF/CA Connectors with female coupling nut
 Shell style 2xx

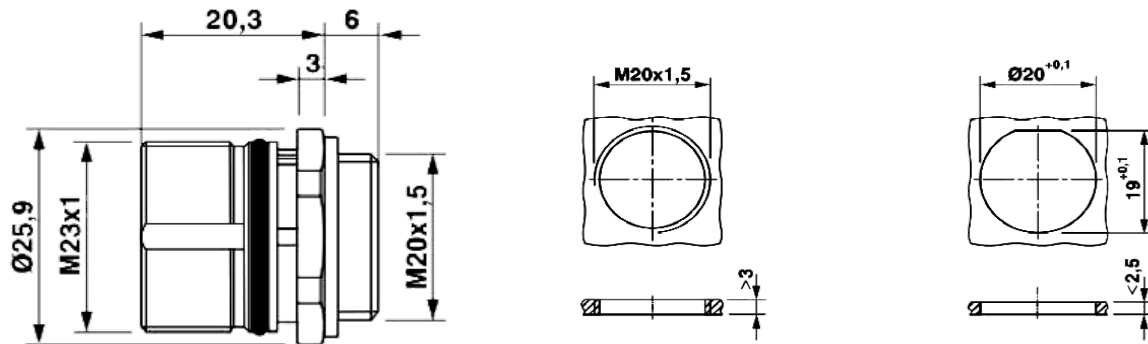


Caps and accessories: pages B-H-01...
 Mounting tools: N/A
 Assembly instructions: N/A
 Crimp tools for contacts: pages B-B-01...
 Crimp contacts: pages B-C-01... (RC)

We also deliver as a connector set.
 Connector with crimp insert - and
 the contacts are
 separate included.
 Please ask for P/N

Part Number	CA-	X	X	X	X	X	X	X	X	X	X	X			
		Here please fill in the first 7 digits of your desired RC connector insert (6-19 positions) from the page B-A-01 to page B-A-29													
Square flange connector with flat gasket front mount flange with 4 holes 3.2 mm \varnothing												2	S	0	0

Flange Connector front mount M23 Series CA
 fits all RC/UC/RF/CA Connectors with female coupling nut
 Shell style 6xx



Caps and accessories: pages B-H-01...
 Mounting tools: N/A
 Assembly instructions: N/A
 Crimp tools for contacts: pages B-B-01...
 Crimp contacts: pages B-C-01... (RC)

We also deliver as a connector set.
 Connector with crimp insert - and
 the contacts are
 separate included.
 Please ask for P/N



Part Number	CA-	X	X	X	X	X	X	X	X	X	X	X
-------------	-----	---	---	---	---	---	---	---	---	---	---	---

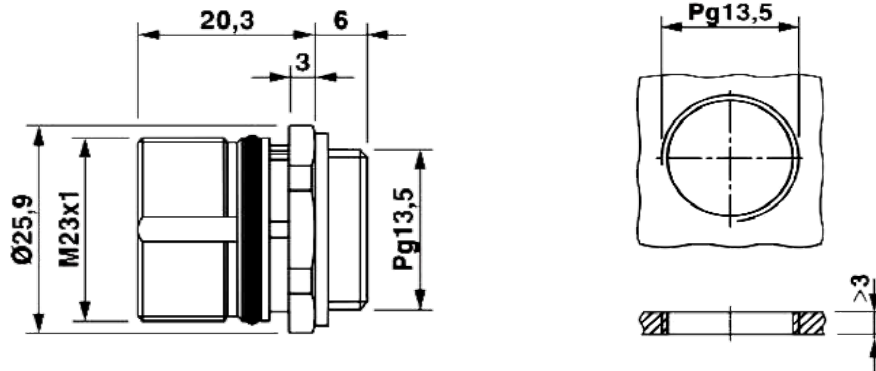
Here please fill in the first 7 digits
 of your desired RC connector insert
 (6-19 positions) from
 the page B-A-01
 to page B-A-29



Round flange connector
 with axial seal ring
 front mount

round flange with thread M20x1.5 mm ϕ	6	Y	O	O
with additional Lock nut	6	Y	N	O
with additional Lock nut and washer	6	Y	N	W

Flange Connector front mount M23 Series CA
 fits all RC/UC/RF/CA Connectors with female coupling nut
 Shell style 6xx



Caps and accessories: pages B-H-01...
Mounting tools: N/A
Assembly instructions: N/A
Crimp tools for contacts: pages B-B-01...
Crimp contacts: pages B-C-01... (RC)

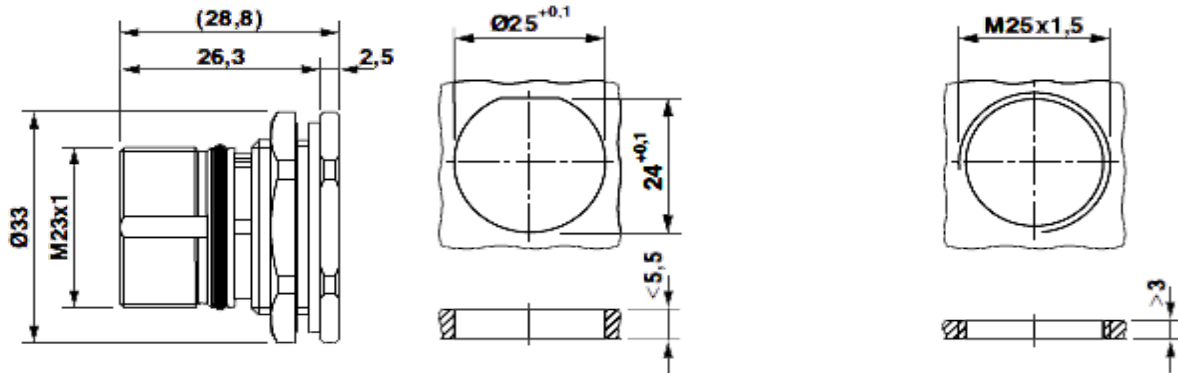
We also deliver as a connector set.
 Connector with crimp insert - and
 the contacts are
 separate included.
 Please ask for P/N

Part Number	CA-	X	X	X	X	X	X	X	X	X	X	X
		Here please fill in the first 7 digits of your desired RC connector insert (6-19 positions) from the page B-A-01 to page B-A-29										
Round flange connector with axial seal ring front mount												
round flange with thread PG13.5 ø									6	Z	0	0
with additional Lock nut									6	Z	N	0
with additional Lock nut and washer									6	Z	N	W





Flange Connector front mount M23 Series CA
 fits all RC/UC/RF/CA Connectors with female coupling nut
 Shell style Hxx



Caps and accessories: pages B-H-01...
Mounting tools: N/A
Assembly instructions: N/A
Crimp tools for contacts: pages B-B-01...
Crimp contacts: pages B-C-01... (RC)

We also deliver as a connector set.
 Connector with crimp insert - and
 the contacts are
 separate included.
 Please ask for P/N



Part Number	CA-	x	x	x	x	x	x	x	x	x	x	x
-------------	-----	---	---	---	---	---	---	---	---	---	---	---

Here please fill in the first 7 digits
 of your desired RC connector insert
 (6-19 positions) from
 the page B-A-01
 to page B-A-29

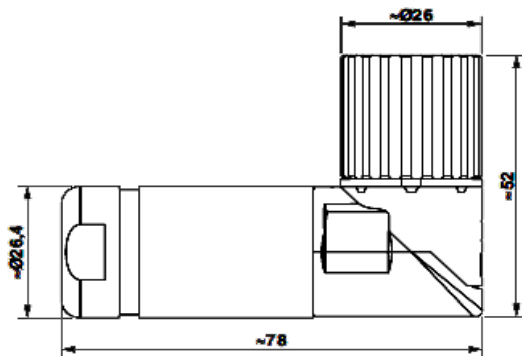


**Round flange connector
 with axial seal ring
 rear mount**

with hex nut from the front	H	Z	O	O
with additional Lock nut	H	Z	N	O
with additional Lock nut and washer	H	Z	N	W





Shielded Cable Connectors M23 Series CA
 fits all RC/UC/RF/CA Connectors with male outside thread
 Shell style T0xx



Caps and accessories: pages B-H-01...
Mounting tools: pages B-E-01...
Assembly instructions: page B-D-14A
Crimp tools for contacts: pages B-B-01...
Crimp contacts: pages B-C-01... (RC)

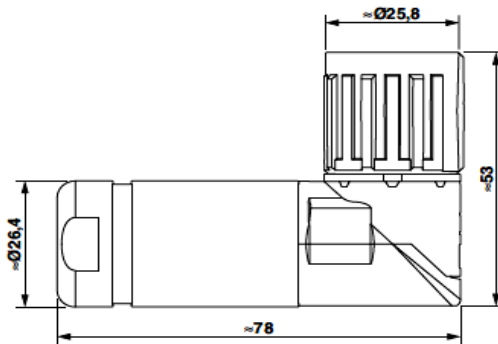
We also deliver as a connector set.
 Connector with crimp insert - and
 the contacts are
 separate included.
 Please ask for P/N



Part Number	CA-	x	x	x	x	x	x	x	T	O	x	x
		Here please fill in the first 7 digits of your desired RC connector insert (6-19 positions) from the page B-A-01  to page B-A-29										
Shielded cable connector with universal shielding sleeve												
Cable connector, straight		cable entry 3-14.5 mm \varnothing									D	N
Cable connector, straight		cable entry 4-6.0 mm \varnothing									O	6
Cable connector, straight		cable entry 6-10.0 mm \varnothing									O	7
Cable connector, straight		cable entry 10-14.5 mm \varnothing									O	8



Shielded Cable Connectors M23 Series CA
 fits all RC/UC/RF/CA Connectors with male outside thread
 Shell style T0xxS



Speedcon Version



Caps and accessories: pages B-H-01...
Mounting tools: pages B-E-01...
Assembly instructions: page B-D-14A
Crimp tools for contacts: pages B-B-01...
Crimp contacts: pages B-C-01... (RC)

We also deliver as a connector set.
 Connector with crimp insert - and
 the contacts are
 separate included.
 Please ask for P/N



Part Number	CA-	x	x	x	x	x	x	x	T	O	x	x	S
-------------	-----	---	---	---	---	---	---	---	---	---	---	---	---

Here please fill in the first 7 digits
 of your desired RC connector insert
 (6-19 positions) from
 the page B-A-01
 to page B-A-29



**Shielded cable connector
 with universal shielding sleeve**

Cable connector, straight	cable entry 3-14.5 mm \varnothing	D	N
Cable connector, straight	cable entry 4-6.0 mm \varnothing	O	6
Cable connector, straight	cable entry 6-10.0 mm \varnothing	O	7
Cable connector, straight	cable entry 10-14.5 mm \varnothing	O	8