



Member of the Phoenix Contact Group

## H C Series M27

Shielded Connectors M27

# Shielded Connectors M27 Series HC

## Technical Data



### Shell material

Machined components: Copper-Zinc alloy (CuZn)  
 die cast components: Zinc (GD-Zn)  
 Shell plating: Nickel (Ni) plated  
 Cable entry: max. 18 mm



### Insulator

Connector inserts: Polyamide (PA66) UL 94 V0

All connectors with different shielding material for different jacket and shield diameters.

### Contacts

Contact material: Copper-Zinc alloy (CuZn)  
 Contact plating: Nickel (Ni) with gold (Au) passivated  
 Contact termination: crimp type, solder cup, DIP solder



### Sealing

Sealing rings: Fluor rubber FPM  
 Gaskets: Perbunan NBR or FPM



### Temperature

Temperature (long term) Celsius: - 40 °C up to + 125°C  
 Temperature (long term) Fahrenheit: - 40 °F up to + 257 °F

### Mating

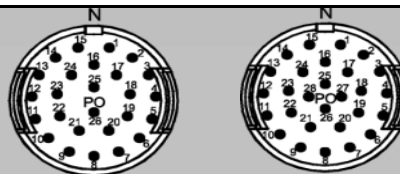
Mating cycles: Standard min. 50  
 Female coupling nuts: M27 screw locking  
 Male receptacles: M27 screw locking



EMC  
shielding

### Protection


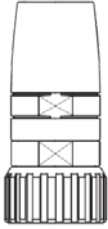
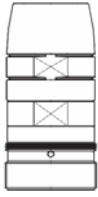
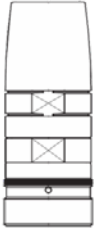
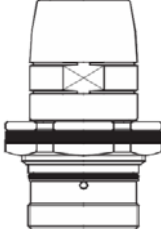
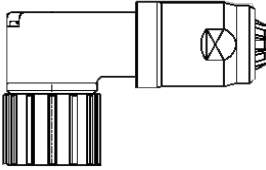
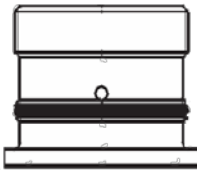
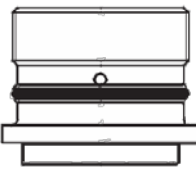

Protection class : IP 67 (mated) depends on which cable gland is used



	26	28			
Number of positions	26	28			
Number of contacts	26	28			
Contact dia. (mm Ø)	1	1			
Rated current at 25° (A)	8	8			
Rated voltage (V)	150	150			
Test voltage (V)	1,500	1,500			
Surge voltage category	II	II			
Insulation resistance (Ω)	≥10 <sup>12</sup>	≥10 <sup>12</sup>			
Contact resistance (mΩ)	≤3	≤3			
Wiring size AWG	26-17	26-17			

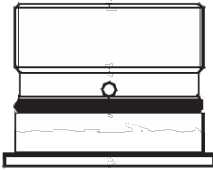
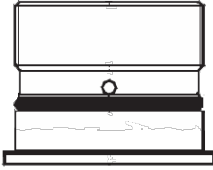
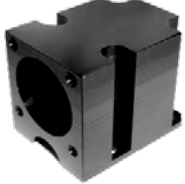
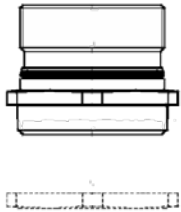
Shielded Connectors M27 Series HC  
 Shell styles 8, R, 9, F, Q, WIDU, 2, W, H



<b>HC-xxxxxxx8xxx</b> <b>page C-P-04</b>	<b>HC-xxxxxxxRxxx</b> <b>page C-P-04</b>	<b>HC-xxxxxxx9xxx</b> <b>page C-P-05</b>
Cable connector, straight with female coupling nut cable entry max. 14 mm universal shielding material	Cable connector, straight with female coupling nut cable entry max. 18 mm universal shielding material	Cable connector, straight with male thread cable entry max. 14 mm universal shielding material
 <p style="text-align: center;">style 8</p>	 <p style="text-align: center;">style R</p>	 <p style="text-align: center;">style 9</p>
<b>HC-xxxxxxxFxxx</b> <b>page C-P-05</b>	<b>HC-xxxxxxxQxxx</b> <b>page C-P-06</b>	<b>HC-xxxxxxxWIDU</b> <b>page C-P-07</b>
Cable connector, straight with male thread cable entry max. 18 mm universal shielding material	Cable connector, straight with male thread cable entry max. 18 mm round flange, rear mount	cable connector, right angled with female coupling nut cable entry max. 14 mm universal shielding material
 <p style="text-align: center;">style F</p>	 <p style="text-align: center;">style Q</p>	 <p style="text-align: center;">style WIDU</p>
<b>HC-xxxxxxx2xxx</b> <b>page C-P-08</b>	<b>HC-xxxxxxxWxxx</b> <b>page C-P-08</b>	<b>HC-xxxxxxxHxxx</b> <b>page C-P-09</b>
Panel connector, straight square flange with 4 holes front mount, gasket with male thread	Panel connector, straight square flange with 4 holes front mount, O-ring with male thread	Panel connector, straight round flange rear mount with male thread
 <p style="text-align: center;">style 2</p>	 <p style="text-align: center;">style W</p>	 <p style="text-align: center;">style H</p>

Shielded Connectors M27 Series HC  
Shell styles 4, 5, AAST



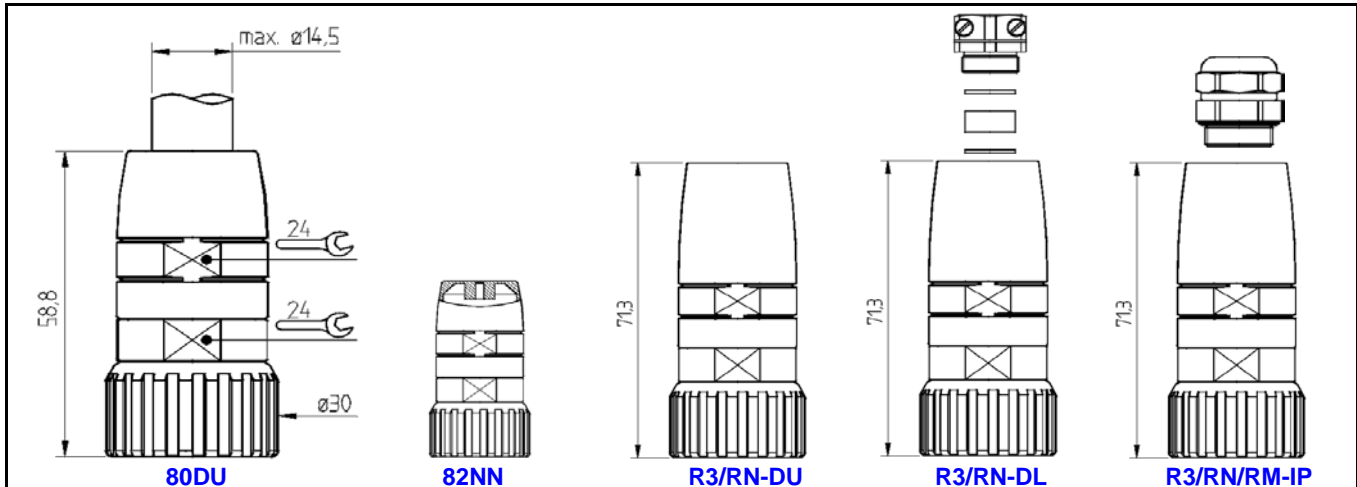
<p>HC-xxxxxxx4xxx page C-P-09</p>	<p>HC-xxxxxxx5xxx page C-P-09</p>	<p>HC-AAST23-01 page C-P-10</p>
<p>Panel connector, straight square flange, 4 threads rear mount with male thread</p>	<p>Panel connector, straight square flange, 4 holes rear mount with male thread</p>	<p>front mount, angled square flange, gasket with holes and screws for connectors style 2</p>
 <p style="text-align: center;">style 4</p>	 <p style="text-align: center;">style 5</p>	 <p style="text-align: center;">style AAST23</p>
<p>HC-xxxxxxx6xxx page C-P-11</p>		
<p>Panel connector, straight round flange front mount with male thread</p>		
 <p style="text-align: center;">style 6</p>		



# Shielded Connectors M27 Series HC

fits all HC Connectors with male thread

Shell style 8/R



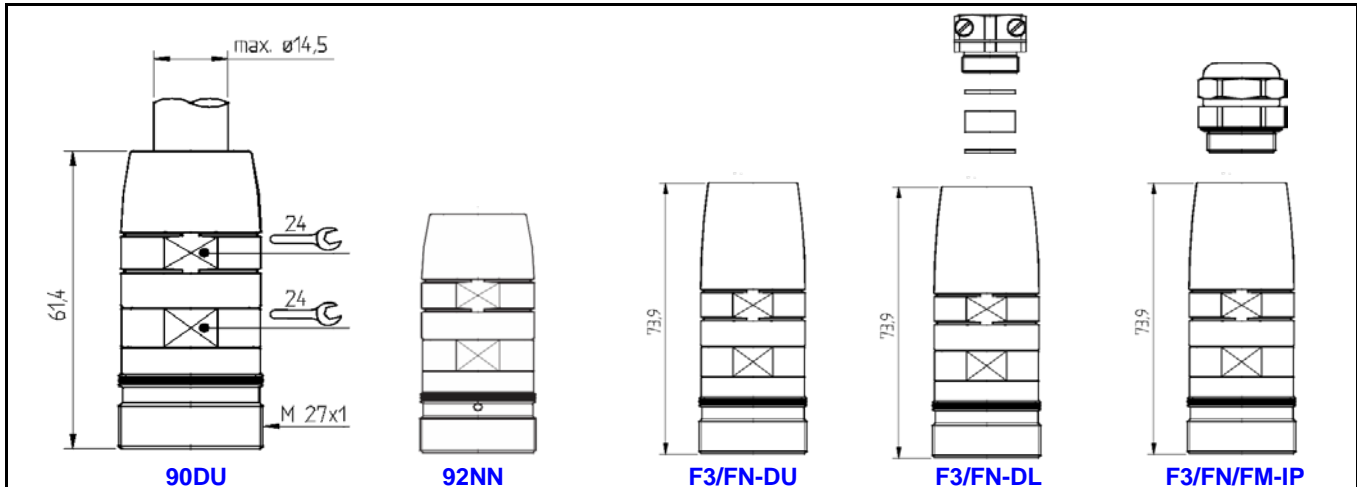
**Caps and accessories:** pages B-H-01...  
**Mounting tools:** pages B-E-01...  
**Assembly instructions:** page B-D-10  
**Crimp tools for contacts:** pages B-B-01...  
**Crimp contacts:** page B-C-10...

We also deliver as a connector set. Connector with crimp insert - and the contacts are separate included. Please ask for P/N

Part Number	HC-	X	X	X	X	X	X	X	X	X	X	X	X	-	X	X
Please fill in the first seven digits of your desired connector insert (26 or 28 positions) See pages B-A-40...																
Connector with integrated strain relief and univ. seal ring 3-14.5 mm Ø										8	0	D	U			
Connector with closed endbell for termination purposes										8	2	N	N			
Connectors with integrated strain relief, universal seal ring and.....																
endbell without cable gland, open threading PG 13.5										R	3	D	U			
endbell with double lever cable gland PG 13.5 (10-14 mm)										R	3	D	U	-	D	L
endbell with IP 68 cable gland PG 13.5 (8-13 mm)										R	3	D	U	-	I	P
endbell without cable gland, open threading PG 16										R	N	D	U			
endbell with double lever cable gland PG 16 (11-15 mm)										R	N	D	U	-	D	L
endbell with IP 68 cable gland PG 16 (8-14 mm)										R	N	D	U	-	I	P
endbell without cable gland, open threading M25										R	M	2	5			
endbell with IP 68 cable gland M25 (11-18 mm)										R	M	2	5	-	I	P



**Shielded Connectors M27 Series HC**  
 fits all HC Connectors with female coupling nut  
 Shell style 9/F



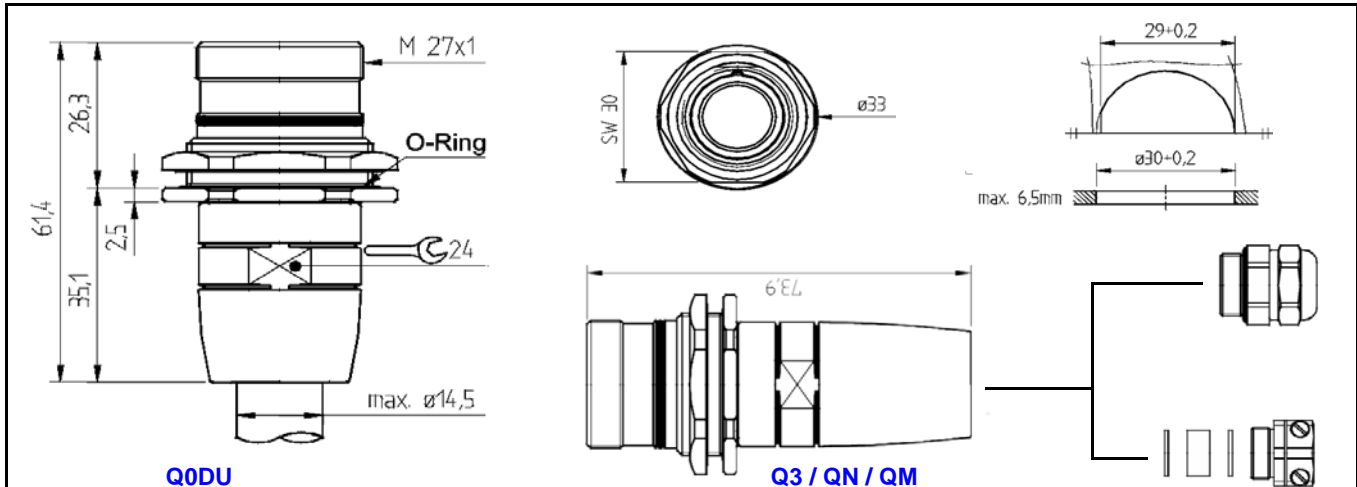
**Caps and accessories:** pages B-H-01...  
**Mounting tools:** pages B-E-01...  
**Assembly instructions:** page B-D-10  
**Crimp tools for contacts:** pages B-B-01...  
**Crimp contacts:** page B-C-10...

We also deliver as a connector set.  
 Connector with crimp insert - and  
 the contacts are separate included.  
 Please ask for P/N

Part Number	HC-	X	X	X	X	X	X	X	X	X	X	X	X	-	X	X
Please fill in the first seven digits of your desired connector insert (26 or 28 positions) See pages B-A-40...																
Connector with integrated strain relief and univ. seal ring 3-14.5 mm Ø	9	0	D	U												
Connector with closed endbell for termination purposes	9	2	N	N												
<b>Connectors with integrated strain relief, universal seal ring and.....</b>																
endbell without cable gland, open threading PG 13.5	F	3	D	U												
endbell with double lever cable gland PG 13.5 (10-14 mm)	F	3	D	U	-	D	L									
endbell with IP 68 cable gland PG 13.5 (8-13 mm)	F	3	D	U	-	I	P									
endbell without cable gland, open threading PG 16	F	N	D	U												
endbell with double lever cable gland PG 16 (11-15 mm)	F	N	D	U	-	D	L									
endbell with IP 68 cable gland PG 16 (8-14 mm)	F	N	D	U	-	I	P									
endbell without cable gland, open threading M25	F	M	2	5												
endbell with IP 68 cable gland M25 (11-18 mm)	F	M	2	5	-	I	P									



**Shielded Connectors M27 Series HC**  
 fits all HC Connectors with female coupling nut  
 Shell style Q



**Q0DU**

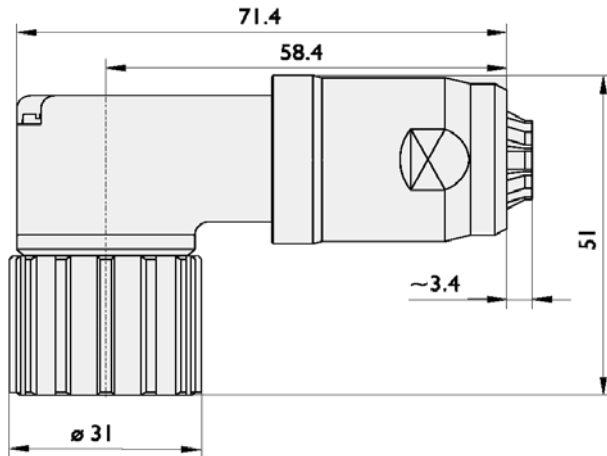
**Q3 / QN / QM**

**Caps and accessories:** pages B-H-01...  
**Mounting tools:** pages B-E-01...  
**Assembly instructions:** page B-D-10  
**Crimp tools for contacts:** pages B-B-01...  
**Crimp contacts:** page B-C-10...

We also deliver as a connector set.  
 Connector with crimp insert - and  
 the contacts are separate included.  
 Please ask for P/N

Part Number	HC-	X	X	X	X	X	X	X	X	X	X	X	X	-	X	X
Please fill in the first seven digits of your desired connector insert (26 or 28 positions) See pages B-A-40...																
Connector with integrated strain relief and univ. seal ring 3-14.5 mm Ø		Q	0	D	U											
Connectors with integrated strain relief, universal seal ring and.....																
endbell without cable gland, open threading PG 13.5		Q	3	D	U											
endbell with double lever cable gland PG 13.5 (10-14 mm)		Q	3	D	U	-	D	L								
endbell with IP 68 cable gland PG 13.5 (8-13 mm)		Q	3	D	U	-	I	P								
endbell without cable gland, open threading PG 16		Q	N	D	U											
endbell with double lever cable gland PG 16 (11-15 mm)		Q	N	D	U	-	D	L								
endbell with IP 68 cable gland PG 16 (8-14 mm)		Q	N	D	U	-	I	P								
endbell without cable gland, open threading M25		Q	M	2	5											
endbell with IP 68 cable gland M25 (11-18 mm)		Q	M	2	5	-	I	P								

Shielded Connectors M27 Series HC  
fits all HC Connectors with male thread  
Shell style WIDU



with integrated strain relief

cable entry 7-14.5 mm

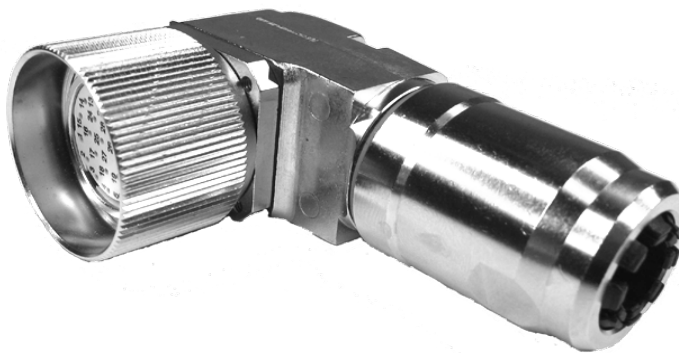
- Caps and accessories:** pages B-H-01...
- Mounting tools:** N/A
- Assembly instructions:** page B-D-09
- Crimp tools for contacts:** pages B-B-01...
- Crimp contacts:** page B-C-10...

We also deliver as a connector set.  
Connector with crimp insert - and  
the contacts are separate included.  
Please ask for P/N



Part Number	HC-	x	x	x	x	x	x	x	W	I	D	U
-------------	-----	---	---	---	---	---	---	---	---	---	---	---

Please fill in the first seven digits of your  
desired connector insert (26 or 28 positions)  
See pages B-A-40...

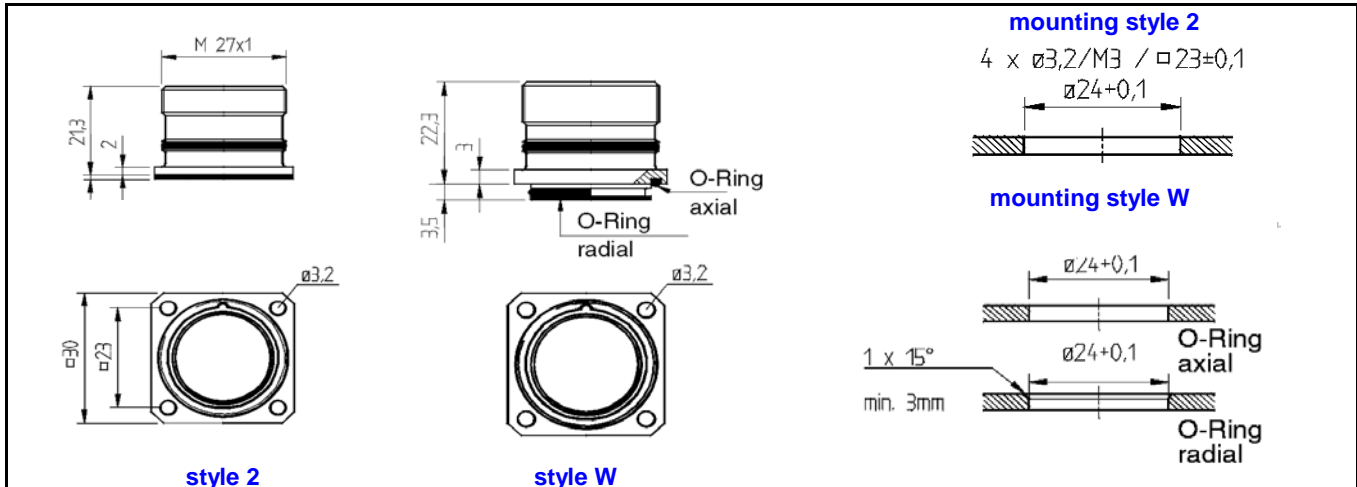






Shielded Connectors M27 Series HC  
fits all HC Connectors with female coupling nut

**Shell style 2 and W • front mount •**



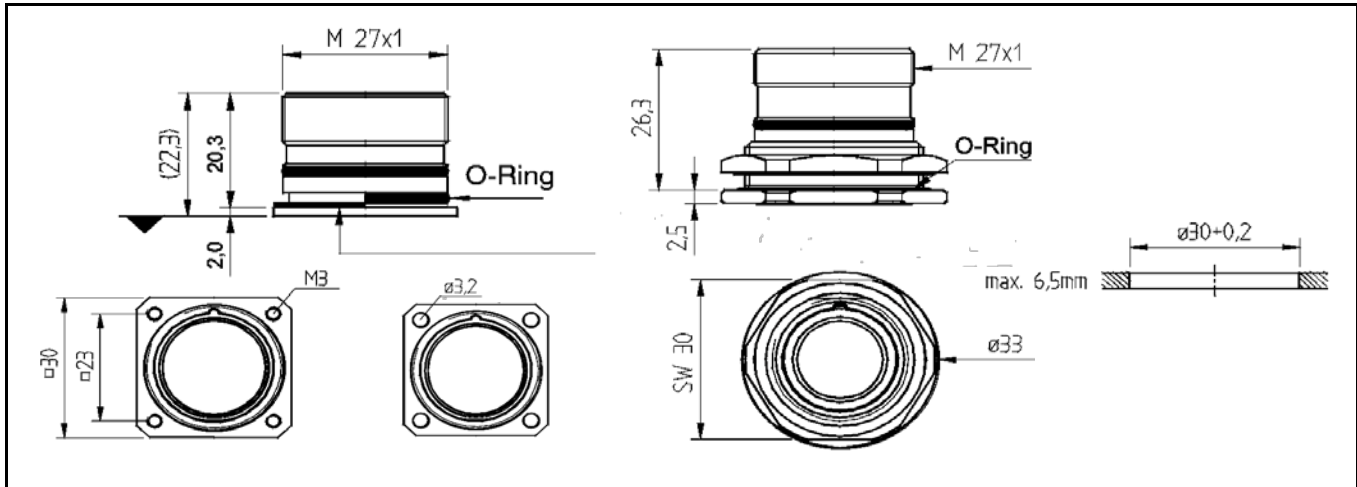
**Caps and accessories:** pages B-H-01...  
**Mounting tools:** N/A  
**Assembly instructions:** N/A  
**Crimp tools for contacts:** pages B-B-01...  
**Crimp contacts:** page B-C-10...

We also deliver as a connector set.  
 Connector with crimp insert - and the contacts are separate included.  
 Please ask for P/N

Part Number	HC-	x	x	x	x	x	x	x	x	x	x	x																																																								
Please fill in the first seven digits of your desired connector insert (26 or 28 positions) See pages B-A-40...B-A-44																																																																				
<p><b>style WA00</b></p>																																																																				
<p><b>style 2300</b></p>																																																																				
<table border="1"> <tr> <td>2</td> <td>3</td> <td>0</td> <td>0</td> <td>front mount</td> </tr> <tr> <td colspan="4"></td> <td>square flange with gasket</td> </tr> <tr> <td colspan="4"></td> <td>4 holes 3.2 mm Ø</td> </tr> <tr> <td>W</td> <td>B</td> <td>0</td> <td>0</td> <td>front mount</td> </tr> <tr> <td colspan="4"></td> <td>square flange</td> </tr> <tr> <td colspan="4"></td> <td>4 holes 3.2 mm Ø</td> </tr> <tr> <td colspan="4"></td> <td>with radial O-ring</td> </tr> <tr> <td>W</td> <td>A</td> <td>0</td> <td>0</td> <td>front mount</td> </tr> <tr> <td colspan="4"></td> <td>square flange</td> </tr> <tr> <td colspan="4"></td> <td>4 holes 3.2 mm Ø</td> </tr> <tr> <td colspan="4"></td> <td>with axial O-ring</td> </tr> </table>														2	3	0	0	front mount					square flange with gasket					4 holes 3.2 mm Ø	W	B	0	0	front mount					square flange					4 holes 3.2 mm Ø					with radial O-ring	W	A	0	0	front mount					square flange					4 holes 3.2 mm Ø					with axial O-ring
2	3	0	0	front mount																																																																
				square flange with gasket																																																																
				4 holes 3.2 mm Ø																																																																
W	B	0	0	front mount																																																																
				square flange																																																																
				4 holes 3.2 mm Ø																																																																
				with radial O-ring																																																																
W	A	0	0	front mount																																																																
				square flange																																																																
				4 holes 3.2 mm Ø																																																																
				with axial O-ring																																																																

**Shielded Connectors M27 Series HC**  
fits all HC Connectors with female coupling nut

**Shell style H, 4, 5 • rear mount •**

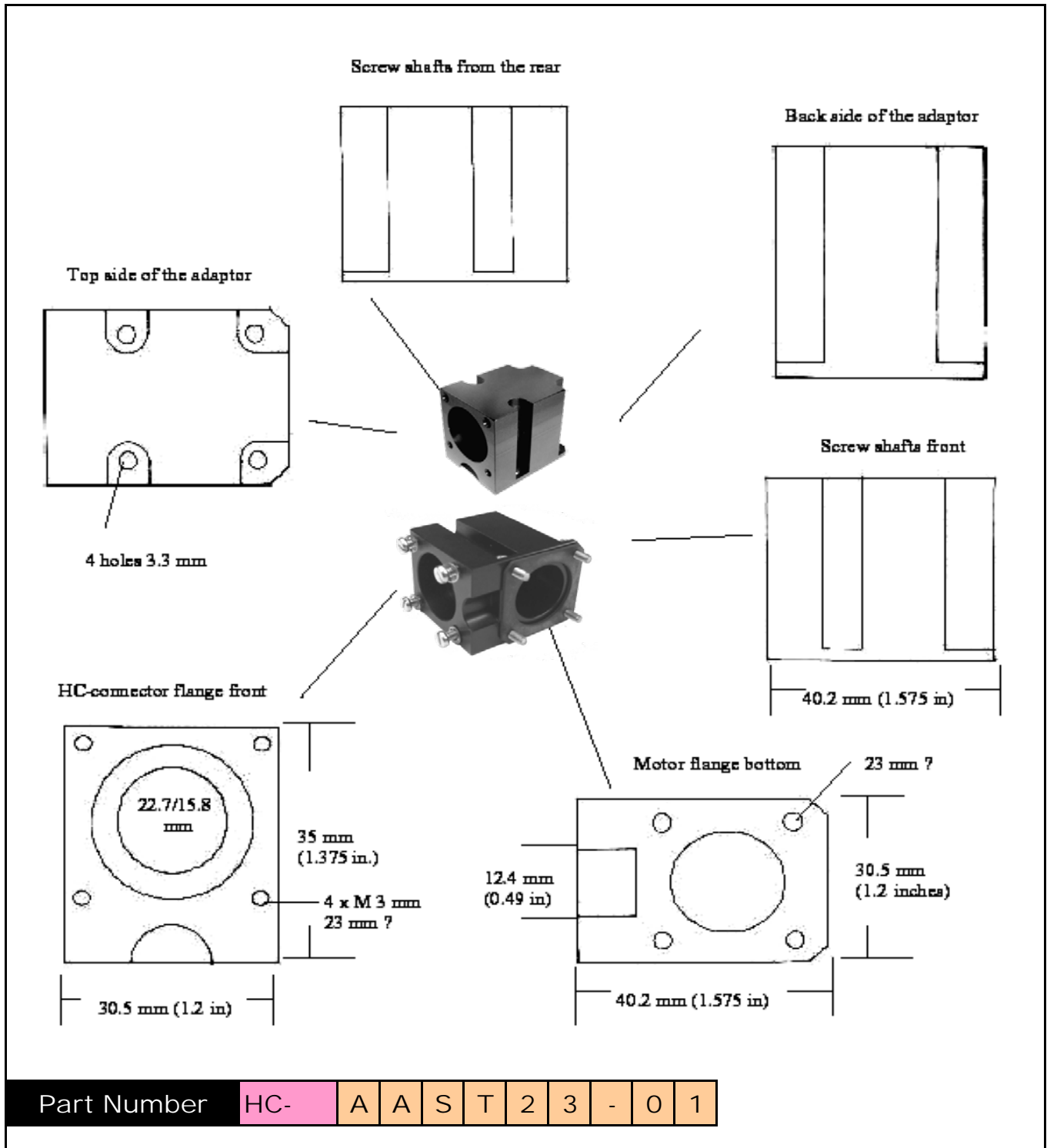


<p><b>Caps and accessories:</b> pages B-H-01...</p> <p><b>Mounting tools:</b> N/A</p> <p><b>Assembly instructions:</b> N/A</p> <p><b>Crimp tools for contacts:</b> pages B-B-01...</p> <p><b>Crimp contacts:</b> page B-C-10...</p>	<p>We also deliver as a connector set. Connector with crimp insert - and the contacts are separate included. Please ask for P/N</p>
---	---

Part Number	HC-	X	X	X	X	X	X	X	X	X	X	X	X																									
<p>Please fill in the first seven digits of your desired connector insert (26 or 28 positions)</p> <p>See pages B-A-40...B-A-44</p>																																						
<p><b>O-ring</b></p> <p><b>Gasket</b></p>																																						
<p><b>style 5100</b></p> <p><b>style H000</b></p>																																						
<table border="1"> <tr> <td>H</td> <td>0</td> <td>0</td> <td>0</td> <td>rear mount, O-ring axial hex nut from the front round flange</td> </tr> <tr> <td>4</td> <td>1</td> <td>0</td> <td>0</td> <td>rear mount, gasket square flange 4 threads M3</td> </tr> <tr> <td>4</td> <td>3</td> <td>0</td> <td>0</td> <td>rear mount, O-ring radial square flange 4 threads M3</td> </tr> <tr> <td>5</td> <td>1</td> <td>0</td> <td>0</td> <td>rear mount, gasket square flange 4 holes 3.2 mm Ø</td> </tr> <tr> <td>5</td> <td>3</td> <td>0</td> <td>0</td> <td>rear mount, O-ring radial square flange 4 holes 3.2 mm Ø</td> </tr> </table>														H	0	0	0	rear mount, O-ring axial hex nut from the front round flange	4	1	0	0	rear mount, gasket square flange 4 threads M3	4	3	0	0	rear mount, O-ring radial square flange 4 threads M3	5	1	0	0	rear mount, gasket square flange 4 holes 3.2 mm Ø	5	3	0	0	rear mount, O-ring radial square flange 4 holes 3.2 mm Ø
H	0	0	0	rear mount, O-ring axial hex nut from the front round flange																																		
4	1	0	0	rear mount, gasket square flange 4 threads M3																																		
4	3	0	0	rear mount, O-ring radial square flange 4 threads M3																																		
5	1	0	0	rear mount, gasket square flange 4 holes 3.2 mm Ø																																		
5	3	0	0	rear mount, O-ring radial square flange 4 holes 3.2 mm Ø																																		

Adaptor for HC Connectors M27  
fits HC-xxxxxxx2300

- front mount •

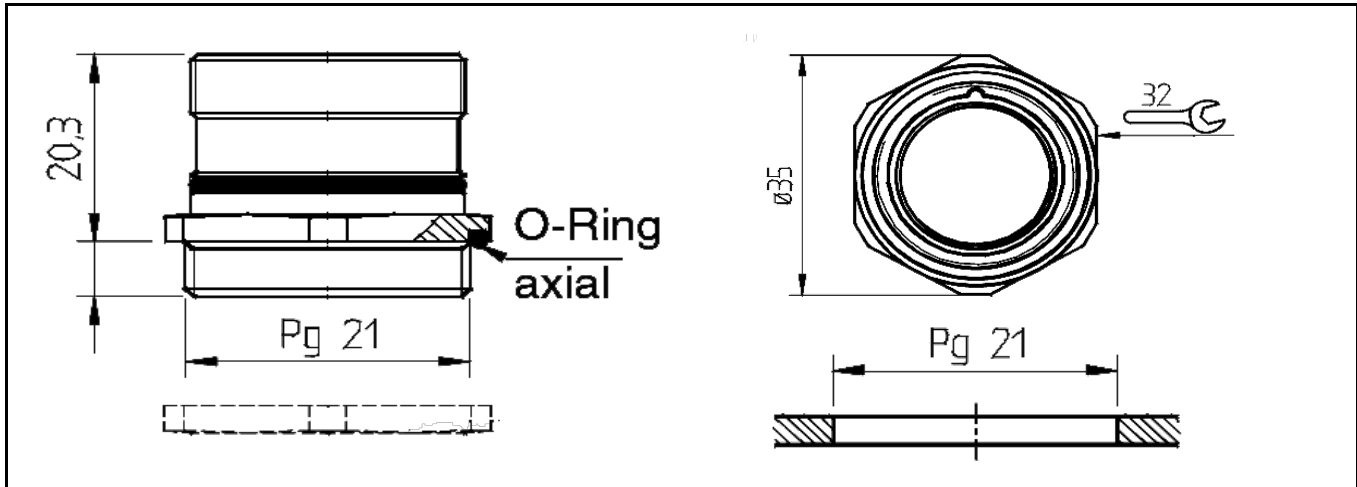


Part Number HC- A A S T 2 3 - 0 1



Shielded Connectors M27 Series HC  
fits all HC Connectors with female coupling nut

Shell style 6 • front mount •



Caps and accessories: pages B-H-01...  
 Mounting tools: N/A  
 Assembly instructions: N/A  
 Crimp tools for contacts: pages B-B-01...  
 Crimp contacts: page B-C-10...

We also deliver as a connector set.  
 Connector with crimp insert - and  
 the contacts are separate included.  
 Please ask for P/N

Part Number	HC-	x	x	x	x	x	x	x	6	x	x	x																				
Please fill in the first seven digits of your desired connector insert (26 or 28 positions) See pages B-A-40...B-A-44																																
 <b>style 6300</b>		 <b>style 6LNU</b>																														
		<table border="1"> <tr> <td>3</td> <td>O</td> <td>O</td> <td>thread length 6 mm brass, nickel, w/o nut</td> </tr> <tr> <td>3</td> <td>N</td> <td>U</td> <td>thread length 6 mm brass, nickel, with hex nut</td> </tr> <tr> <td>L</td> <td>O</td> <td>O</td> <td>thread length 10 mm brass, nickel, w/o nut</td> </tr> <tr> <td>L</td> <td>N</td> <td>U</td> <td>thread length 10 mm brass, nickel, with hex nut</td> </tr> <tr> <td>S</td> <td>N</td> <td>U</td> <td>thread length 10 mm stainless steel, w. hex nut</td> </tr> </table>											3	O	O	thread length 6 mm brass, nickel, w/o nut	3	N	U	thread length 6 mm brass, nickel, with hex nut	L	O	O	thread length 10 mm brass, nickel, w/o nut	L	N	U	thread length 10 mm brass, nickel, with hex nut	S	N	U	thread length 10 mm stainless steel, w. hex nut
3	O	O	thread length 6 mm brass, nickel, w/o nut																													
3	N	U	thread length 6 mm brass, nickel, with hex nut																													
L	O	O	thread length 10 mm brass, nickel, w/o nut																													
L	N	U	thread length 10 mm brass, nickel, with hex nut																													
S	N	U	thread length 10 mm stainless steel, w. hex nut																													