

Member of the Phoenix Contact Group

PCB Layouts

PCB Layouts for Coninvers Connector Inserts
 Series RC (All measurements in mm)



6 positions RC-06... (6 x 2 mm \emptyset)	7 positions RC-07... (7 x 2 mm \emptyset)
9 positions RC-09... (8 x 1 mm, 1 x 2 mm \emptyset)	9 positions RC-63... (6 x 1 mm, 3 x 2 mm \emptyset)

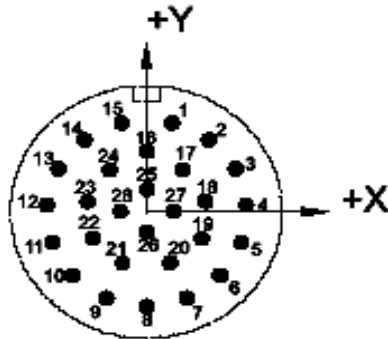
PCB Layouts for Coninvers Connector Inserts
 Series RC/RF (All measurements in mm)

12 positions RC/RF-12... (12 x 1 mm \emptyset)	16 positions RC/RF-16... (16 x 1 mm \emptyset)
17 positions RC/RF-17... (17 x 1 mm \emptyset)	19 positions RC-19... (holes \emptyset can be different)

PCB Layouts for Coninvers Connector Inserts

Series HC (All measurements in mm)

26/28 positions HC-26/28... (26/28 x 1 mm Ø)



(X / Y)

Pos. 1 = (+1,95/ +7,47)

Pos. 2 = (+4,8 / +6,05)

Pos. 3 = (+6,82/ +3,65)

Pos. 4 = (+7,7 / +0,6)

Pos. 5 = (+7,28/ -2,53)

Pos. 6 = (+5,67/ -5,2)

Pos. 7 = (+3,08/ -7,08)

Pos. 8 = (0 / -7,73)

Pos. 9 = (-3,08/ -7,08)

Pos. 10 = (-5,67/ -5,2)

(X / Y)

Pos. 11 = (-7,28/ -2,53)

Pos. 12 = (-7,7 / +0,6)

Pos. 13 = (-6,82/ +3,65)

Pos. 14 = (-4,8 / +6,05)

Pos. 15 = (-1,95/ +7,47)

Pos. 16 = (0 / +5,03)

Pos. 17 = (+2,82/ +3,6)

Pos. 18 = (+4,55/ +0,97)

Pos. 19 = (+4,2 / -2,13)

Pos. 20 = (+1,83/ -4,17)

(X / Y)

Pos. 21 = (-1,83/ -4,17)

Pos. 22 = (-4,2 / -2,13)

Pos. 23 = (-4,55/ +0,97)

Pos. 24 = (-2,82/ +3,6)

Pos. 25 = (0 / +1,88)

Pos. 26 = (0 / -1,6)

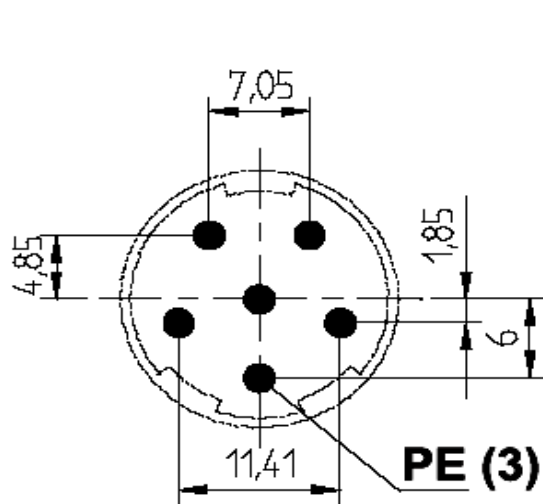
Pos. 27 = (+2,02/ +0,14)

Pos. 28 = (-2,02/ +0,14)

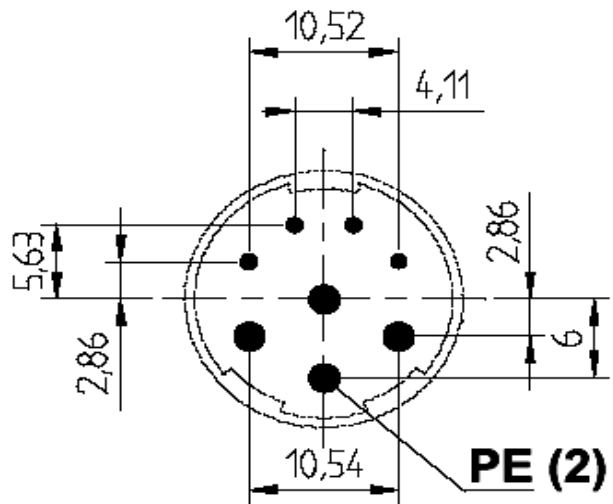
PCB Layouts for Coninvers Connector Inserts
 Series SC/SF/SSP (All measurements in mm)

6 (5+PE) and 8 (4+3+PE) positions SC/SF/SSP-06 or SC/SF/SSP-08

(6 x 2 mm \emptyset and 4 x 1 mm + 4 x 2 mm \emptyset)



6pol. (5+PE)



8pol. (4+3+PE)