



Member of the Phoenix Contact Group

R C Series

Unshielded Connectors M23
Our most popular standard version



Connectors M23 Series RC

Technical Data



Shell material

Machined components: Copper-Zinc alloy (CuZn)
 die cast components: Zinc (GD-Zn)
 Shell plating: Nickel (Ni) plated
 Cable entry: max. 18 mm



Insulator

Connector inserts: Thermoplastic polyester (PBT), Polyamid (PA66),

Contacts

Contact material: Copper-Zinc alloy (CuZn)
 Contact plating: Nickel (Ni) with gold (Au) passivated
 Contact termination: Solder cup, crimp type, screw type, dip solder



Sealing

Sealing rings: Fluor rubber (FPM)
 Gaskets: Fluor rubber (FPM), or Perbunan (NBR) stiffened gaskets

Temperature

Temperature (long term) Celsius: - 40 °C up to +125°C
 Temperature (long term) Fahrenheit: - 40 °F up to + 257 °F



Mating

Female coupling nuts: M23 screw locking
 Male receptacles: M23 screw locking
 Mating cycles: Standard min. 50



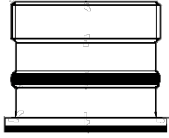
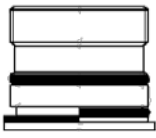



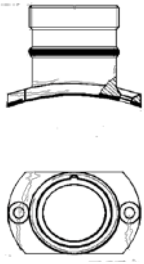

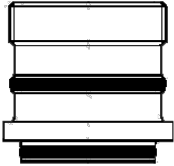
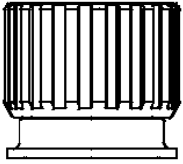
Protection

Protection class : IP 67 (mated) depends on which cable gland is used

Number of positions	6,7	9 (8+1)	9 (6+3)	12	16	17	19 (16+3)
Number of contacts	6,7	8 1	6 3	12	16	17	16 3
Contact dia. (mm Ø)	2	1 2	1 2	1	1	1	1 1.5
Rated current at 25°C (A)	20	8 20	8 20	8	8	8	8 10
Rated voltage (V)	250	150	150	150	150	150	150
Test voltage (Volt AC)	2,500	1,500	1,500	1,500	1,500	1,500	1,500
Overvoltage category DIN EN 61984-2001	II	II	II	II	II	II	II
Insulation resistance (Ω)	≥10 ¹⁶	≥10 ¹⁶	≥10 ¹²	≥10 ¹²	≥10 ¹²	≥10 ¹²	≥10 ¹²
Contact resistance (mΩ)	≤3	≤3	≤3	≤3	≤3	≤3	≤3
Pollution degree acc. to IEC 664-1	2 (3 ¹)	2 (3 ¹)	2 (3 ¹)	2 (3 ¹)	2 (3 ¹)	2 (3 ¹)	2 (3 ¹)
Contact resistance (mΩ)	≤3	≤3	≤3	≤3	≤3	≤3	≤3
Pollution degree acc. to IEC 664-1	2 (3 ¹)	2 (3 ¹)	2 (3 ¹)	2 (3 ¹)	2 (3 ¹)	2 (3 ¹)	2 (3 ¹)


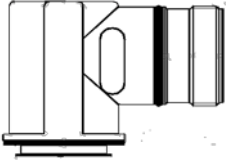

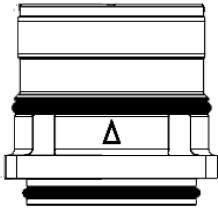
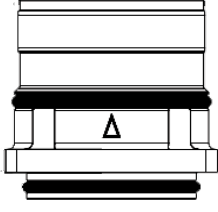
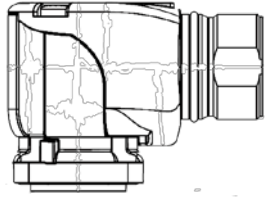
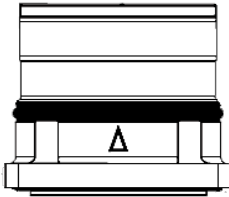
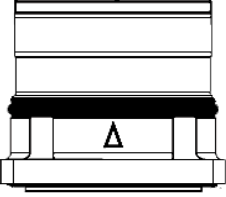
Bulkhead Connectors M23 Series RC
Shell styles 2, 4, 5, 6, D, H, W, Y



RC-xxxxxxx2x00 page C-F-10	RC-xxxxxxx4x00 page C-F-11	RC-xxxxxxx5x00 page C-F-12
front mount, straight square flange, gasket flange with holes male thread M 23	rear mount, straight square flange, gasket - O-ring flange with threads male thread M 23	rear mount, straight square flange, gasket - O-ring flange with holes male thread M 23
 <p style="text-align: center;">style 2</p>	 <p style="text-align: center;">style 4</p>	 <p style="text-align: center;">style 5</p>
RC-xxxxxxx6xxx page C-F-13	RC-xxxxxxx6R00 page C-F-14	RC-xxxxxxxDx00 page C-F-15
front mount, straight round flange, gasket - O-ring and/or lock nut from the back male thread M 23	front mount, straight round flange, gasket lock nut from the back male thread M 23	front mount, D-shaped with gasket flange with countersink holes male thread M 23
 <p style="text-align: center;">style 6</p>	 <p style="text-align: center;">style 6 USA flange</p>	 <p style="text-align: center;">style D</p>
RC-xxxxxxxHx00 page C-F-16	RC-xxxxxxxWx00 page C-F-17	RC-xxxxxxxYx00 page C-F-18
rear mount, straight round flange, O-ring lock nut from the front male thread M 23	front mount, straight square flange, O-ring flange with holes male thread M 23	front mount, straight square flange, gasket - O-ring flange with holes female coupling nut
 <p style="text-align: center;">style H</p>	 <p style="text-align: center;">style W</p>	 <p style="text-align: center;">style Y</p>

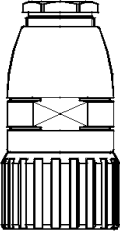
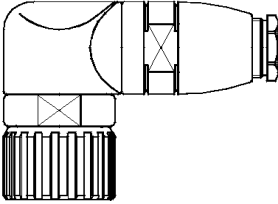
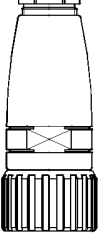
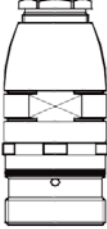
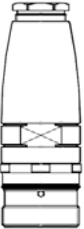
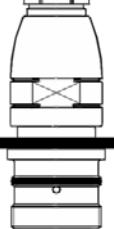
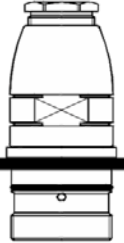
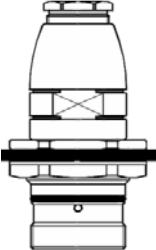
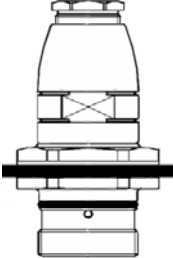
Bulkhead Connectors M23 Series RC
Shell styles Y8, A, E, WQ, WR, AD, WS, WT



<p>RC-xxxxxxxY800 page C-F-19</p>	<p>RC-xxxxxxxAx00 page C-F-20</p>	<p>RC-xxxxxxxEx00 page C-F-21</p>
<p>rear mount, straight square flange, O-ring flange with threads female coupling nut</p>	<p>front mount, right angled square flange, gasket - O-ring flange with holes male thread M 23</p>	<p>rear mount, straight square flange, gasket - O-ring flange with holes/threads male thread M 23</p>
 <p>style Y8</p>	 <p>style A</p>	 <p>style E</p>
<p>RC-xxxxxxxWQ00 page C-F-22</p>	<p>RC-xxxxxxxWR00 page C-F-22</p>	<p>RC-xxxxxxxAD00 page C-F-23</p>
<p>front mount, straight square flange, O-ring radial 4 holes 2.7 mm Ø male thread M 23</p>	<p>front mount, straight square flange, O-ring radial 4 holes 3.2 mm Ø male thread M 23</p>	<p>front mount, right angled square flange, O-ring axial 4 holes 3.2 mm Ø male thread M 23</p>
 <p>style WQ</p>	 <p>style WR</p>	 <p>turnable connector style AD</p>
<p>RC-xxxxxxxWS00 page C-F-22</p>	<p>RC-xxxxxxxWT00 page C-F-22</p>	
<p>front mount, straight square flange, O-ring axial 4 holes 2.7 mm Ø male thread M 23</p>	<p>front mount, straight square flange, O-ring axial 4 holes 3.2 mm Ø male thread M 23</p>	
 <p>style WS</p>	 <p>style WT</p>	

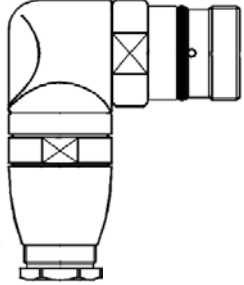
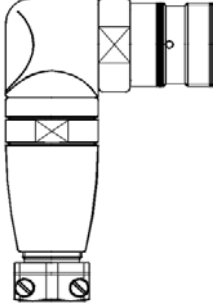
Unshielded Connectors M23 Series RC
Shell styles 1, Z, L, 7, J, 3, U, G, P



<p>RC-xxxxxxx1xxx page C-F-55</p>	<p>RC-xxxxxxxZxxx page C-F-56</p>	<p>RC-xxxxxxxLxxx page C-F-57</p>
<p>Cable connector straight with female coupling nut cable entry max. 18 mm</p>	<p>Cable connector right angled with female coupling nut cable entry max. 18 mm</p>	<p>cable connector straight long with female coupling nut cable entry max. 18 mm</p>
 <p>style 1</p>	 <p>style Z</p>	 <p>style L</p>
<p>RC-xxxxxxx7xxx page C-F-58</p>	<p>RC-xxxxxxxJxxx page C-F-59</p>	<p>RC-xxxxxxx3xxx page C-F-60</p>
<p>cable connector straight with male thread cable entry max. 18 mm</p>	<p>cable connector straight, long with male thread cable entry max 18 mm</p>	<p>cable connector straight with male thread cable entry max. 18 mm front mount, square flange</p>
 <p>style 7</p>	 <p>style J</p>	 <p>style 3</p>
<p>RC-xxxxxxxUxxx page C0-F-61</p>	<p>RC-xxxxxxxGxxx page C-F-62</p>	<p>RC-xxxxxxxPxxx page C-F-63</p>
<p>cable connector straight with male thread cable entry max. 18 mm rear mount, square flange</p>	<p>cable connector straight, long with male thread cable entry max 18 mm rear mount, round flange</p>	<p>cable connector straight with male thread cable entry max. 18 mm front mount, round flange</p>
 <p>style U</p>	 <p>style G</p>	 <p>style P</p>

Unshielded Connectors M23 Series RC
Shell styles 7W, JW



RC-xxxxxxx7Wxx page C-F-64	RC-xxxxxxxJWxxx page C-F-65	
Cable connector right angled with male thread cable entry max. 18 mm	Cable connector right angled with male thread cable entry max. 18 mm long version	
 <p style="text-align: center;">style 7W</p>	 <p style="text-align: center;">style JW</p>	



Bulkhead Connectors M23 Series RC

fits all UC/RC-... Cable Connectors with female coupling nut

Shell style 2 • front mount receptacle •

<p>mounting dimensions</p> <p>$\square 19,8 \pm 0,1$</p> <p>mounting hole</p> <p>$\varnothing 20 \pm 0,1$</p>	<p>connector dimensions</p> <p>$\square 25$ $\square 19,8$</p> <p>1 21,3 1,5</p> <p>M 23</p> <p>Flat gasket</p>
<p>Caps and accessories: pages B-H-01...</p> <p>Mounting tools: pages B-E-01...</p> <p>Assembly instructions: page B-D-03</p> <p>Crimp tools for contacts: pages B-B-01...</p> <p>Crimp contacts: pages B-C-01...</p>	<p>We also deliver as a connector set. Connector with crimp insert - and the contacts are separate included. Please ask for P/N</p>

Part Number	RC-	x	x	x	x	x	x	x	2	x	0	0	
with black O-ring	RC-	<p>Here please fill in the first 7 digits of your desired connector insert (6-19 positions) from page B-A-01 to page B-A-29</p>										<p>0 gasket separate 4 holes 2.7 mm Ø</p> <p>1 gasket separate 4 holes 3.2 mm Ø</p> <p>2 gasket mounted 4 holes 2.7 mm Ø</p> <p>3 gasket mounted 4 holes 3.2 mm Ø</p>	
with red O-ring	RCRD-												
with yellow O-ring	RCYE-												
with green O-ring	RCGN-												
with blue O-ring	RCBL-												
<p>f.e. RC-xxxxxxx2300</p>													



Bulkhead Connectors M23 Series RC

fits all UC/RC-... Cable Connectors with female coupling nut

Shell style 4 • rear mount receptacle •

<p>mounting dimensions</p>	<p>connector dimensions</p>
<p>mounting holes O-ring gasket</p>	<p>We also deliver as a connector set. Connector with crimp insert - and the contacts are separate included. Please ask for P/N</p>
<p>Caps and accessories: pages B-H-01...</p> <p>Mounting tools: pages B-E-01...</p> <p>Assembly instructions: page B-D-03</p> <p>Crimp tools for contacts: pages B-B-01...</p> <p>Crimp contacts: pages B-C-01...</p>	

Part Number	RC-	x	x	x	x	x	x	x	4	x	0	0													
with black O-ring	RC-	<p>Here please fill in the first 7 digits of your desired connector insert (6-19 positions) from page B-A-01 to page B-A-29</p>							<table border="1"> <tr> <td style="background-color: #FFDAB9;">0</td> <td style="background-color: #FFDAB9;">gasket mounted</td> <td style="background-color: #FFDAB9;">4 threads M2.5</td> </tr> <tr> <td style="background-color: #FFDAB9;">1</td> <td style="background-color: #FFDAB9;">gasket mounted</td> <td style="background-color: #FFDAB9;">4 threads M3</td> </tr> <tr> <td style="background-color: #FFDAB9;">2</td> <td style="background-color: #FFDAB9;">O-ring radial</td> <td style="background-color: #FFDAB9;">4 threads M2.5</td> </tr> <tr> <td style="background-color: #FFDAB9;">3</td> <td style="background-color: #FFDAB9;">O-ring radial</td> <td style="background-color: #FFDAB9;">4 threads M3</td> </tr> </table>					0	gasket mounted	4 threads M2.5	1	gasket mounted	4 threads M3	2	O-ring radial	4 threads M2.5	3	O-ring radial	4 threads M3
0	gasket mounted													4 threads M2.5											
1	gasket mounted													4 threads M3											
2	O-ring radial													4 threads M2.5											
3	O-ring radial													4 threads M3											
with red O-ring	RCRD-																								
with yellow O-ring	RCYE-																								
with green O-ring	RCGN-																								
with blue O-ring	RCBL-																								
<p>f.e. RC-xxxxxxx4300</p>																									





Bulkhead Connectors M23 Series RC

fits all UC/RC-... Cable Connectors with female coupling nut

Shell style 5 • rear mount receptacle •

<p>mounting dimensions</p>	<p>connector dimensions</p>
<p>mounting holes O-ring gasket</p>	<p>We also deliver as a connector set. Connector with crimp insert - and the contacts are separate included. Please ask for P/N</p>
<p>Caps and accessories: pages B-H-01...</p> <p>Mounting tools: pages B-E-01...</p> <p>Assembly instructions: page B-D-03</p> <p>Crimp tools for contacts: pages B-B-01...</p> <p>Crimp contacts: pages B-C-01...</p>	

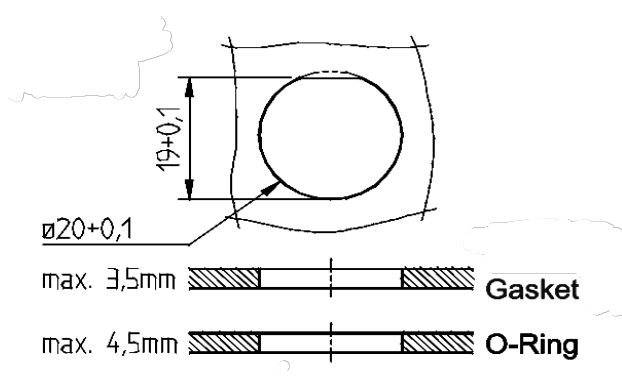
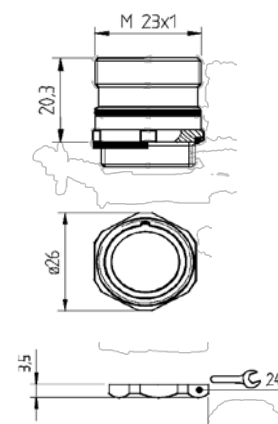
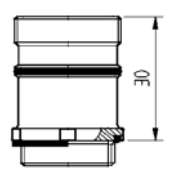
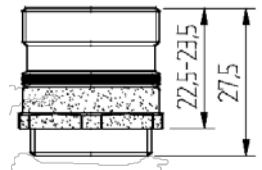
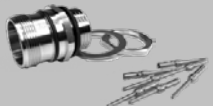
Part Number	RC-	x	x	x	x	x	x	x	5	x	0	0									
with black O-ring	RC-	Here please fill in the first 7 digits of your desired connector insert (6-19 positions) from page B-A-01 to page B-A-29 							<table border="1" style="width: 100%; border-collapse: collapse;"> <tr> <td style="background-color: #FFDAB9; text-align: center;">0</td> <td style="background-color: #FFDAB9;">gasket mounted 4 holes 2.7 mm Ø</td> </tr> <tr> <td style="background-color: #FFDAB9; text-align: center;">1</td> <td style="background-color: #FFDAB9;">gasket mounted 4 holes 3.2 mm Ø</td> </tr> <tr> <td style="background-color: #FFDAB9; text-align: center;">2</td> <td style="background-color: #FFDAB9;">O-ring radial 4 holes 2.7 mm Ø</td> </tr> <tr> <td style="background-color: #FFDAB9; text-align: center;">3</td> <td style="background-color: #FFDAB9;">O-ring radial 4 holes 3.2 mm Ø</td> </tr> </table>					0	gasket mounted 4 holes 2.7 mm Ø	1	gasket mounted 4 holes 3.2 mm Ø	2	O-ring radial 4 holes 2.7 mm Ø	3	O-ring radial 4 holes 3.2 mm Ø
0	gasket mounted 4 holes 2.7 mm Ø																				
1	gasket mounted 4 holes 3.2 mm Ø																				
2	O-ring radial 4 holes 2.7 mm Ø																				
3	O-ring radial 4 holes 3.2 mm Ø																				
with red O-ring	RCRD-																				
with yellow O-ring	RCYE-																				
with green O-ring	RCGN-																				
with blue O-ring	RCBL-																				
 <p>f.e. RC-xxxxxxx5300</p>																					





Bulkhead Connectors M23 Series RC

fits all UC/RC-... Cable Connectors with female coupling nut

Shell style 6 • front mount receptacle •

<p style="text-align: center;">mounting dimensions</p>  <p> Caps and accessories: pages B-H-01... Mounting tools: pages: B-E-01... Assembly instructions: page B-D-03 Crimp tools for contacts: pages B-B-01... Crimp contacts: pages B-C-01... </p>	<p style="text-align: center;">connector dimensions</p> <div style="display: flex; justify-content: space-around;"> <div style="text-align: center;"> <p>style 60/61/6R/63</p>  </div> <div style="text-align: center;"> <p>style 6H/6A</p>  </div> </div> <p style="text-align: center;">style 65 with adjustable positions</p>  <p>We also deliver as a connector set. Connector with crimp insert - and the contacts are separate included. Please ask for P/N</p> 
---	---

Part Number	RC-	x	x	x	x	x	x	x	6	x	x	x
with black O-ring	RC-	Here please fill in the first 7 digits of your desired connector insert (6-19 positions) from page B-A-01 to page B-A-29 										
with red O-ring	RCRD-											
with yellow O-ring	RCYE-											
with green O-ring	RCGN-											
with blue O-ring	RCBL-											
 <p>f.e. RC-xxxxxxx6R00</p>	A O R	M20, 6 mm thread, O-ring	0 S R	M20, 6 mm thread, seal ring								
	A W W	same, with washer	0 W W	same, with washer								
	A O O	same, with washer and nut	0 O O	same, with washer and nut								
	5 O O	PG 13.5, 6 mm thread, O-ring	R S R	M20, 10 mm thread, seal ring								
	5 W W	same, with washer	R W W	same, with washer								
	5 W N	same, with washer and nut	R O O	same, with washer and nut								
			1 O R	M20, 6 mm thread, O-ring								
			1 W W	same, with washer								
			1 O O	same, with washer and nut								
			3 O O	PG 13.5, 6 mm thread, O-ring								
			3 W W	same, with washer								
			3 W N	same, with washer and nut								
			H S R	M20, 6 mm thread, seal ring								
			H W W	same, with washer								
			H O O	same, with washer and nut								



Bulkhead Connectors M23 Series RC

fits all UC/RC-... Cable Connectors with female coupling nut

Shell style 6R • front mount receptacle with assembled US flange •

connector dimensions

connector material: brass, nickel plated

Caps and accessories: pages B-H-01...

Mounting tools: pages: B-E-01...

Assembly instructions: page B-D-03

Crimp tools for contacts: pages B-B-01...

Crimp contacts: pages B-C-01...

rear view

front view

side view

flange thickness: 2.4 mm
stainless steel

We also deliver as a connector set. Connector with crimp insert - and the contacts are separate included. Please ask for P/N

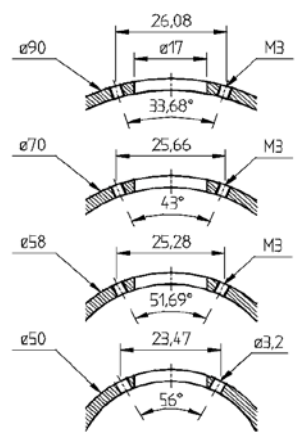
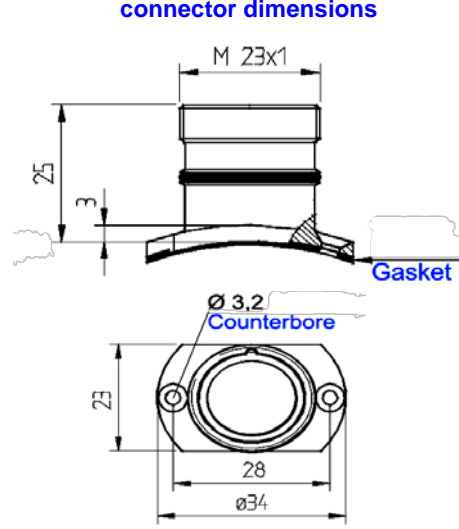

Part Number	RC-	x	x	x	x	x	x	x	6	R	x	x	-	G
with black O-ring	RC-	Here please fill in the first 7 digits of your desired connector insert (6-19 positions) from page B-A-01 to page B-A-29										Please use this affix if you need the US flange with a gasket.		
with red O-ring	RCRD-													
with yellow O-ring	RCYE-													
with green O-ring	RCGN-													
with blue O-ring	RCBL-													
			1 6		Flange size 16									
			1 8		Flange size 18									
			2 0		Flange size 20									
			2 2		Flange size 22									
			2 4		Flange size 24									
			2 8		Flange size 28									
			3 2		Flange size 32									
			3 6		Flange size 36									
			4 0		Flange size 40									



Flange size	Outside square	Distance holes	Bore holes
16	32.2 mm	24.6 mm	3.2 mm
18	35.0 mm	27.0 mm	3.2 mm
20	38.0 mm	29.4 mm	3.2 mm
22	41.0 mm	31.8 mm	3.2 mm
24	44.5 mm	34.9 mm	3.7 mm
28	50.8 mm	39.7 mm	3.7 mm
32	57.0 mm	44.5 mm	4.3 mm
36	63.5 mm	49.2 mm	4.3 mm
40	70.2 mm	55.6 mm	4.3 mm

Bulkhead Connectors M23 Series RC

fits all UC/RC-... Cable Connectors with female coupling nut

Shell style D • front mount receptacles with radius •

<p>mounting dimensions</p> 	<p>connector dimensions</p> 
<p>Caps and accessories: pages B-H-01... Mounting tools: pages B-E-01... Assembly instructions: page B-D-03 Crimp tools for contacts: pages B-B-01... Crimp contacts: pages B-C-01...</p>	<p>We also deliver as a connector set. Connector with crimp insert - and the contacts are separate included. Please ask for P/N</p> 

Part Number	RC-	x	x	x	x	x	x	x	x	D	x	0	0
<p>with black O-ring</p> <p>with red O-ring</p> <p>with yellow O-ring</p> <p>with green O-ring</p> <p>with blue O-ring</p>	RC- RCRD- RCYE- RCGN- RCBL-	<p>Here please fill in the first 7 digits of your desired connector insert (6-19 positions) from page B-A-01 to page B-A-29</p> 							<p>1</p> <p>gasket mounted, 90 mm Ø 2 holes counterbore 3.2mm Ø</p> <hr/> <p>6</p> <p>gasket mounted, 70 mm Ø 2 holes counterbore 3.2mm Ø</p> <hr/> <p>B</p> <p>gasket mounted, 58 mm Ø 2 holes counterbore 3.2mm Ø</p> <hr/> <p>T</p> <p>gasket mounted, 50 mm Ø 2 threads counterbore M3</p>				
 <p style="color: blue; text-align: center;">style D100</p>													



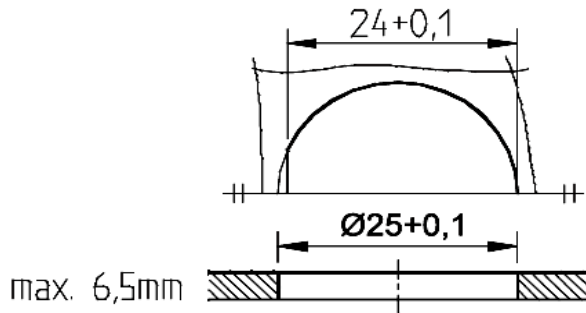
Bulkhead Connectors M23 Series RC

fits all UC/RC-... Cable Connectors with female coupling nut

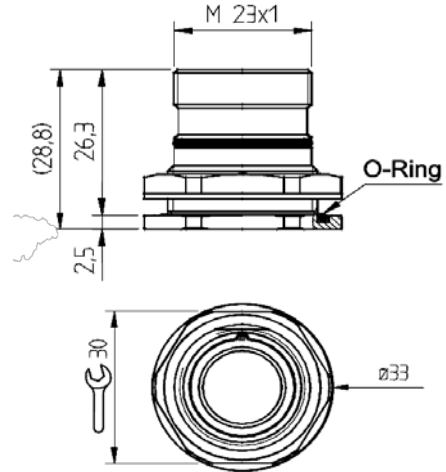
Shell style H • rear mount receptacle •

mounting dimensions

O-Ring axial M25




connector dimensions



- Caps and accessories:** pages B-H-01...
- Mounting tools:** pages: B-E-01...
- Assembly instructions:** page B-D-03
- Crimp tools for contacts:** pages B-B-01...
- Crimp contacts:** pages B-C-01...

We also deliver as a connector set.
Connector with crimp insert - and
the contacts are separate included.
Please ask for P/N



Part Number	RC-	x	x	x	x	x	x	x	H	x	O	O
with black O-ring	RC-	Here please fill in the first 7 digits of your desired connector insert (6-19 positions) from page B-A-01 to page B-A-29 										
with red O-ring/washer	RCRD-											
with yellow O-ring/washer	RCYE-											
with green O-ring/washer	RCGN-											
with blue O-ring/washer	RCBL-											
		<div style="background-color: yellow; padding: 5px; display: inline-block;"> O with axial O-ring washer and nut </div>										





Bulkhead Connectors M23 Series RC

fits all UC/RC-... Cable Connectors with female coupling nut

Shell style W • front mount receptacle •

<p style="text-align: center;">mounting dimensions</p>	<p style="text-align: center;">connector dimensions</p>
<p>Caps and accessories: pages B-H-01...</p> <p>Mounting tools: pages B-E-01...</p> <p>Assembly instructions: page B-D-03</p> <p>Crimp tools for contacts: pages B-B-01...</p> <p>Crimp contacts: pages B-C-01...</p>	<p>We also deliver as a connector set. Connector with crimp insert - and the contacts are separate included. Please ask for P/N</p>

Part Number	RC-	x	x	x	x	x	x	x	W	x	0	0		
with black O-ring	RC-	<p>Here please fill in the first 7 digits of your desired connector insert (6-19 positions) from page B-A-01 to page B-A-29</p>												
with red O-ring	RCRD-											2		O-ring radial
with yellow O-ring	RCYE-											4		4 holes 2.7 mm Ø
with green O-ring	RCGN-											A		O-ring radial
with blue O-ring	RCBL-											4		4 holes 3.2 mm Ø
		4		O-ring axial										
		4		4 holes 2.7 mm Ø										
		B		O-ring axial										
		4		4 holes 3.2 mm Ø										

f.e. RC-xxxxxxxWA00

Bulkhead Connectors M23 Series RC
fits all UC/RC-... Cable Connectors with male thread

Shell style Y • front mount receptacle •

mounting dimensions

connector dimensions

Y0/Y1/Y2/Y3 YP/YQ

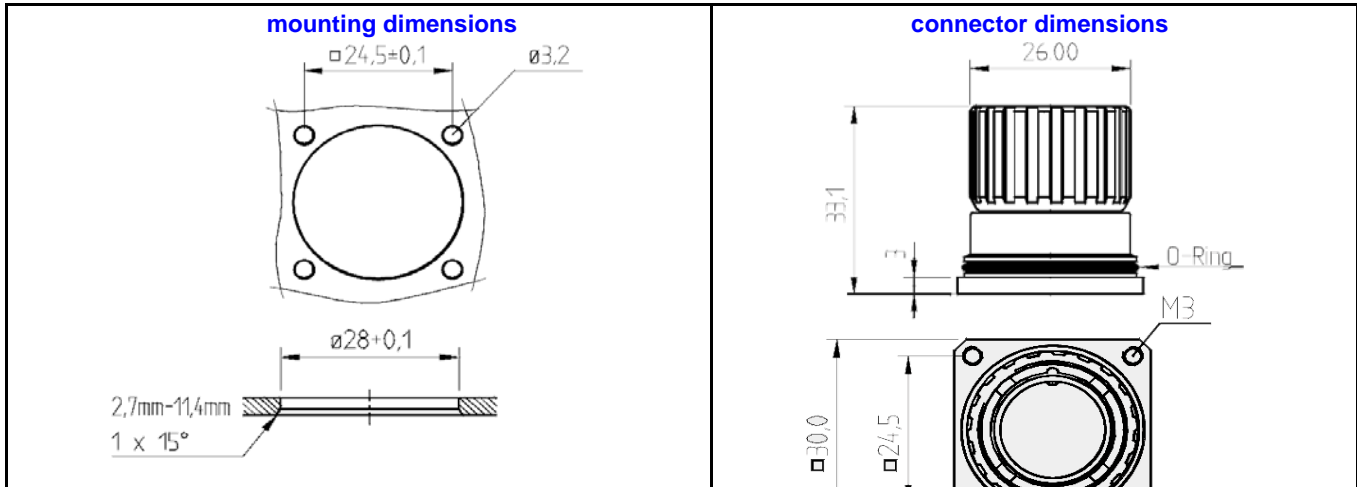
Caps and accessories: pages B-H-01...
Mounting tools: pages B-E-01...
Assembly instructions: page B-D-03
Crimp tools for contacts: pages B-B-01...
Crimp contacts: pages B-C-01...

We also deliver as a connector set. Connector with crimp insert - and the contacts are separate included. Please ask for P/N

Part Number	RC-	x	x	x	x	x	x	x	Y	x	0	0	
with brass/ni coupling	RC-	Here please fill in the first 7 digits of your desired connector insert (6-19 positions) from page B-A-01 to page B-A-29											
with red coupling nut	RCRD-											0	Gasket separate, 4 holes 2.7 mm Ø
with yellow coupling nut	RCYE-											1	Gasket separate, 4 holes 3.2 mm Ø
with green coupling nut	RCGN-											2	Gasket mounted, 4 holes 2.7 mm Ø
with blue coupling nut	RCBL-											3	Gasket mounted, 4 holes 3.2 mm Ø
<p>f.e. RCYE-xxxxxxxY300</p> <p>f.e. RC-xxxxxxxY300</p> <p>f.e. RC-xxxxxxxYR00</p>	P	O-ring axial, PG 13.5, washer, nut											
	Q	Seal ring axial, PG 13.5, washer, nut											
	F	O-ring axial, turnable 8 x 45 ° 4 holes 3.2 mm Ø											
	R	O-ring radial, turnable 8 x 45 ° 4 holes 3.2 mm Ø											

Bulkhead Connectors M23 Series RC
fits all UC/RC-... Cable Connectors with male thread

Shell style Y8 • rear mount receptacle •



Caps and accessories: pages B-H-01...
Mounting tools: pages: B-E-01...
Assembly instructions: page B-D-03
Crimp tools for contacts: pages B-B-01...
Crimp contacts: pages B-C-01...

We also deliver as a connector set. Connector with crimp insert - and the contacts are separate included. Please ask for P/N

Part Number	RC-	x	x	x	x	x	x	x	Y	x	0	0
with brass/ni coupling	RC-	Here please fill in the first 7 digits of your desired connector insert (6-19 positions) from page B-A-01 to page B-A-29										
with red coupling nut	RCRD-											
with yellow coupling nut	RCYE-											
with green coupling nut	RCGN-											
with blue coupling nut	RCBL-											
8 with radial O-ring 4 threads M3 turnable 8 x 45 °												





Bulkhead Connectors M23 Series RC

fits all UC/RC-... Cable Connectors with female coupling nut

Shell style A • front mount receptacle right angled •

<p style="text-align: center; color: blue;">mounting dimensions</p>	<p style="text-align: center; color: blue;">connector dimensions</p>
<p>Caps and accessories: pages B-H-01...</p> <p>Mounting tools: pages B-E-01...</p> <p>Assembly instructions: page B-D-03</p> <p>Crimp tools for contacts: pages B-B-01...</p> <p>Crimp contacts: pages B-C-01...</p>	<p>We also deliver as a connector set. Connector with crimp insert - and the contacts are separate included. Please ask for P/N</p>

Part Number	RC-	x	x	x	x	x	x	x	A	x	0	0	
with black O-ring	RC-												
with red O-ring	RCRD-	Here please fill in the first 7 digits of your desired connector insert (6-19 positions) from page B-A-01 to page B-A-29										0	Gasket separate, 4 holes 2.7 mm Ø
with yellow O-ring	RCYE-											1	Gasket separate, 4 holes 3.2 mm Ø
with green O-ring	RCGN-											2	O-ring radial, 4 holes 2.7 mm Ø
with blue O-ring	RCBL-											3	O-ring radial, 4 holes 3.2 mm Ø
												5	Gasket mounted, 4 holes 2.7 mm Ø
		6	Gasket mounted, 4 holes 3.2 mm Ø										

f.e. RC-xxxxxxxA100

f.e. RC-xxxxxxxA300

Bulkhead Connectors M23 Series RC

fits all UC/RC-... Cable Connectors with female coupling nut

Shell style E • rear mount receptacle •

<p style="text-align: center; color: blue;">mounting dimensions</p>	<p style="text-align: center; color: blue;">connector dimensions</p>
<p>Caps and accessories: pages B-H-01...</p> <p>Mounting tools: pages B-E-01...</p> <p>Assembly instructions: page B-D-03</p> <p>Crimp tools for contacts: pages B-B-01...</p> <p>Crimp contacts: pages B-C-01...</p>	<p>We also deliver as a connector set. Connector with crimp insert - and the contacts are separate included. Please ask for P/N</p>

Part Number	RC-	x	x	x	x	x	x	x	E	x	0	0									
<p>with black O-ring</p> <p>with red O-ring</p> <p>with yellow O-ring</p> <p>with green O-ring</p> <p>with blue O-ring</p>	<p>RC-</p> <p>RCRD-</p> <p>RCYE-</p> <p>RCGN-</p> <p>RCBL-</p>	<p>Here please fill in the first 7 digits of your desired connector insert (6-19 positions) from page B-A-01 to page B-A-29</p>							<table style="width: 100%; border-collapse: collapse;"> <tr> <td style="width: 20%; text-align: center;">1</td> <td style="background-color: #e0e0e0;">with gasket 4 threads M3</td> </tr> <tr> <td style="text-align: center;">7</td> <td style="background-color: #e0e0e0;">with gasket 4 holes 3.2 mm Ø</td> </tr> <tr> <td style="text-align: center;">0</td> <td style="background-color: #e0e0e0;">O-ring radial 4 threads M3</td> </tr> <tr> <td style="text-align: center;">6</td> <td style="background-color: #e0e0e0;">O-ring radial 4 holes 3.2 mm Ø</td> </tr> </table>					1	with gasket 4 threads M3	7	with gasket 4 holes 3.2 mm Ø	0	O-ring radial 4 threads M3	6	O-ring radial 4 holes 3.2 mm Ø
1	with gasket 4 threads M3																				
7	with gasket 4 holes 3.2 mm Ø																				
0	O-ring radial 4 threads M3																				
6	O-ring radial 4 holes 3.2 mm Ø																				
<p style="color: blue;">f.e. RC-xxxxxxxE700</p>								<p style="color: blue;">f.e. RC-xxxxxxxE600</p>													



Bulkhead Connectors M23 Series RC

fits all UC/RC-... Cable Connectors with female coupling nut

Shell style WQ/WR/WS/WT • front mount receptacle •

mounting dimensions

connector dimensions

Caps and accessories: pages B-H-01...

Mounting tools: pages B-E-01...

Assembly instructions: page B-D-03

Crimp tools for contacts: pages B-B-01...

Crimp contacts: pages B-C-01...

We also deliver as a connector set. Connector with crimp insert - and the contacts are separate included. Please ask for P/N

Part Number	RC-	x	x	x	x	x	x	x	W	x	O	O								
with black O-ring	RC-	Here please fill in the first 7 digits of your desired connector insert (6-19 positions) from page B-A-01 to page B-A-29																		
with red O-ring	RCRD-																			
with yellow O-ring	RCYE-																			
with green O-ring	RCGN-																			
with blue O-ring	RCBL-																			
<table style="width: 100%; border-collapse: collapse;"> <tr> <td style="width: 30px; text-align: center;">Q</td> <td>with O-ring radial 4 holes 2.7 mm Ø</td> </tr> <tr> <td style="text-align: center;">R</td> <td>with O-ring radial 4 holes 3.2 mm Ø</td> </tr> <tr> <td style="text-align: center;">S</td> <td>with O-ring axial 4 holes 2.7 mm Ø</td> </tr> <tr> <td style="text-align: center;">T</td> <td>with O-ring axial 4 holes 3.2 mm Ø</td> </tr> </table>													Q	with O-ring radial 4 holes 2.7 mm Ø	R	with O-ring radial 4 holes 3.2 mm Ø	S	with O-ring axial 4 holes 2.7 mm Ø	T	with O-ring axial 4 holes 3.2 mm Ø
Q	with O-ring radial 4 holes 2.7 mm Ø																			
R	with O-ring radial 4 holes 3.2 mm Ø																			
S	with O-ring axial 4 holes 2.7 mm Ø																			
T	with O-ring axial 4 holes 3.2 mm Ø																			





Bulkhead Connectors M23 Series RC

fits all UC/RC-... Cable Connectors with female coupling nut

Shell style AD • front mount receptacle right angled •

<p style="text-align: center;">mounting dimensions</p> <p>Installation dimensions</p> <p>Edge stripping max. 0.2</p> <p>$\square 19.8 \pm 0.1$</p> <p>$\phi 20 \pm 0.1$</p> <p>4xM3</p>	<p style="text-align: center;">connector dimensions</p> <p>37</p> <p>4.65</p> <p>1.85</p> <p>M23x1</p> <p>25.4</p> <p>Axial O-ring</p> <p>$\phi 3.2$</p> <p>26</p> <p>19.8</p> <p>212°</p> <p>98°</p> <p>Other ranges of rotation on request</p>
<p>Caps and accessories: pages B-H-01...</p> <p>Mounting tools: N/A</p> <p>Assembly instructions: N/A</p> <p>Crimp tools for contacts: pages B-B-01...</p> <p>Crimp contacts: pages B-C-01...</p>	<p>We also deliver as a connector set. Connector with crimp insert - and the contacts are separate included. Please ask for P/N</p>

Part Number	RC-	x	x	x	x	x	x	x	A	D	0	0
with black O-ring	RC-	<p>Here please fill in the first 7 digits of your desired connector insert (6-19 positions) from page B-A-01 to page B-A-29</p>										
with red O-ring	RCRD-											
with yellow O-ring	RCYE-											
with green O-ring	RCGN-											
with blue O-ring	RCBL-											

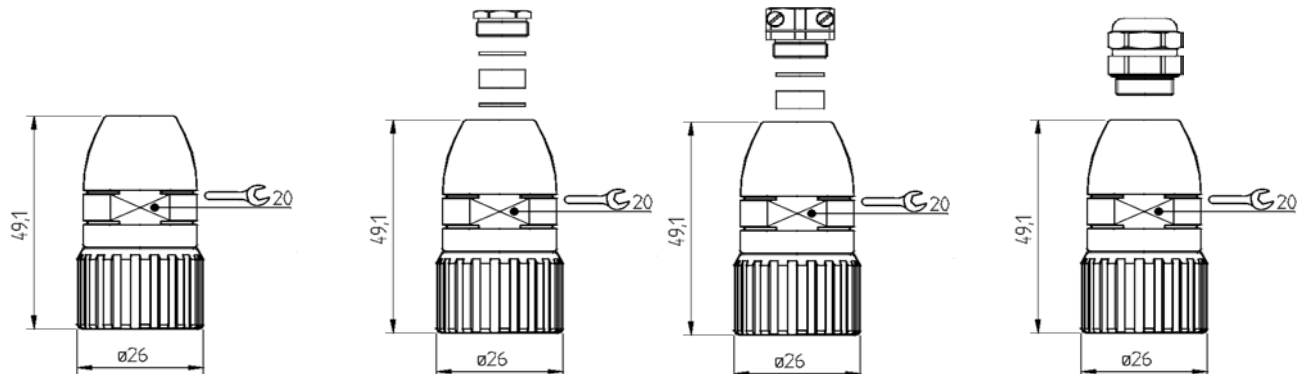


turnable 310 °

Non-shielded Cable Connectors M23 Series RC

fits all RC/UC Connectors with male outside thread

Shell style 1



open endbell w/o cable gland

standard fitting

double lever

IP 68 cable gland

Caps and accessories: pages B-H-01...
Mounting tools: pages B-E-01...
Assembly instructions: page B-D-05
Crimp tools for contacts: pages B-B-01...
Crimp contacts: pages B-C-01...

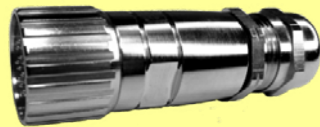
We also deliver as a connector set. Connector with crimp insert - and the contacts are separate included. Please ask for P/N

Part Number	RC-	x	x	x	x	x	x	x	1	x	0	0	
coupling nut brass/ni	RC-	Here please fill in the first 7 digits											
red coupling nut	RCRD-	of your desired connector insert											
yellow coupling nut	RCYE-	(6-19 positions) from											
green coupling nut	RCGN-	the page B-A-01											
blue coupling nut	RCBL-	to page B-A-29											



f.e. RC-xxxxxxx1700

open endbell without cable gland	endbell with double lever cable gland	endbell with standard fitting	endbell with IP 68 cable gland
0 PG 07 threaded endbell only	A PG 07 4-6 mm Ø	4 PG 07 4-6 mm Ø	H PG 07 3-7mm Ø
1 PG 09 threaded endbell only	B PG 09 6-10 mm Ø		I PG 09 5-9mm Ø
2 PG 11 threaded endbell only	C PG 11 8-12 mm Ø		K PG 11 6-10mm Ø
3 PG 13.5 threaded endbell only	D PG 13.5 10-14 mm Ø	5 PG 09 6-10 mm Ø	L PG 13.5 8-13mm Ø
	E PG 16 11-15 mm Ø with adaptor	6 PG 11 8-12 mm Ø	M PG 16 (adaptor) 8-14mm Ø
	F M25 11-18 mm Ø with adaptor'	7 PG 13.5 10-14 mm Ø	N M25 (adaptor) 11-18mm Ø

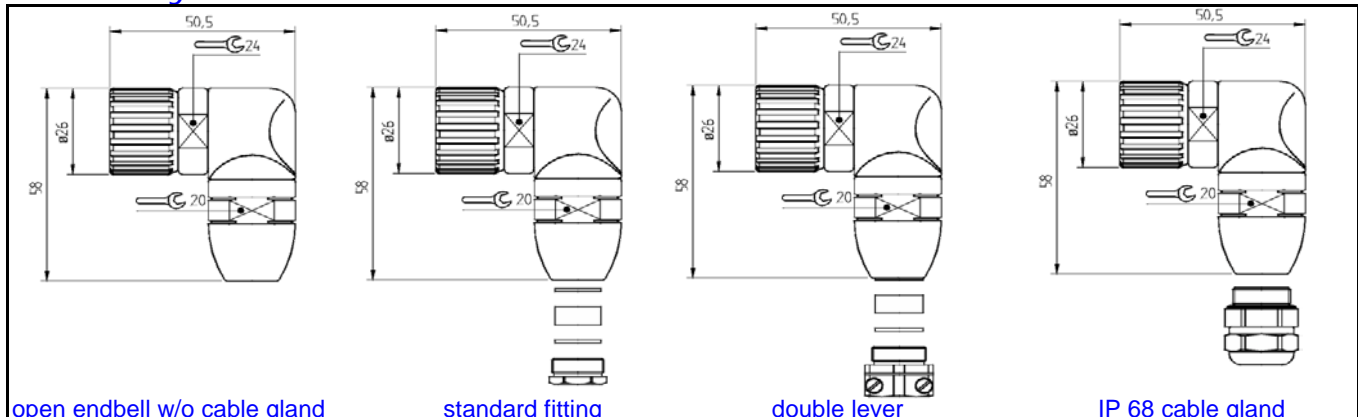


f.e. RC-xxxxxxx1L00

Non-shielded Cable Connectors M23 Series RC

fits all RC/UC Connectors with male outside thread

Shell style Z



open endbell w/o cable gland

standard fitting

double lever

IP 68 cable gland

Caps and accessories: pages B-H-01...
Mounting tools: pages B-E-01...
Assembly instructions: page B-D-05
Crimp tools for contacts: pages B-B-01...
Crimp contacts: pages B-C-01...

We also deliver as a connector set.
 Connector with crimp insert - and the contacts are separate included.
 Please ask for P/N

Part Number	RC-	x	x	x	x	x	x	x	Z	x	0	0
--------------------	-----	---	---	---	---	---	---	---	---	---	---	---

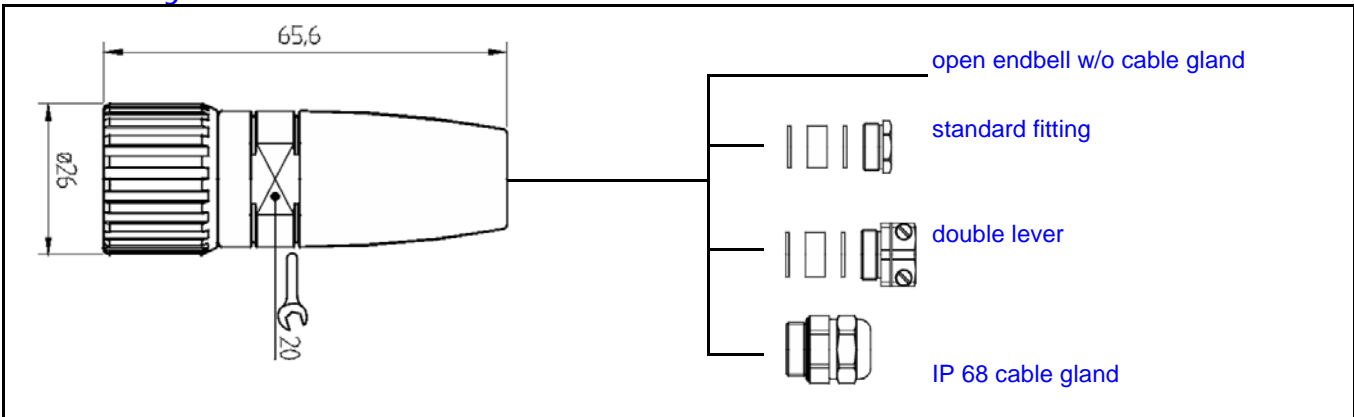
coupling nut brass/ni	RC-	Here please fill in the first 7 digits of your desired connector insert (6-19 positions) from the page B-A-01 to page B-A-29
red coupling nut	RCRD-	
yellow coupling nut	RCYE-	
green coupling nut	RCGN-	
blue coupling nut	RCBL-	



open endbell without cable gland	endbell with double lever cable gland	endbell with standard fitting	endbell with IP 68 cable gland
0 PG 07 threaded endbell only	A PG 07 4-6 mm Ø	4 PG 07 4-6 mm Ø	H PG 07 3-7mm Ø
1 PG 09 threaded endbell only	B PG 09 6-10 mm Ø		I PG 09 5-9mm Ø
2 PG 11 threaded endbell only	C PG 11 8-12 mm Ø		K PG 11 6-10mm Ø
3 PG 13.5 threaded endbell only	D PG 13.5 10-14 mm Ø	5 PG 09 6-10 mm Ø	L PG 13.5 8-13mm Ø
	E PG 16 11-15 mm Ø with adaptor	6 PG 11 8-12 mm Ø	M PG 16 (adaptor) 8-14mm Ø
	F M25 11-18 mm Ø with adaptor'	7 PG 13.5 10-14 mm Ø	N M25 (adaptor) 11-18mm Ø

f.e. RC-xxxxxxxZ300

Non-shielded Cable Connectors M23 Series RC
 fits all RC/UC Connectors with male outside thread
Shell style L



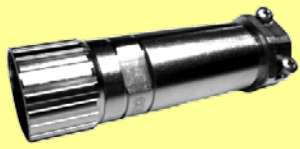
Caps and accessories: pages B-H-01...
Mounting tools: pages B-E-01...
Assembly instructions: page B-D-05
Crimp tools for contacts: pages B-B-01...
Crimp contacts: pages B-C-01...

We also deliver as a connector set.
 Connector with crimp insert - and
 the contacts are separate included.
 Please ask for P/N

Part Number	RC-	x	x	x	x	x	x	x	L	x	0	0	
coupling nut brass/ni	RC-	Here please fill in the first 7 digits											
red coupling nut	RCRD-	of your desired connector insert											
yellow coupling nut	RCYE-	(6-19 positions) from											
green coupling nut	RCGN-	the page B-A-01											
blue coupling nut	RCBL-	to page B-A-29											



open endbell without cable gland	endbell with double lever cable gland	endbell with standard fitting	endbell with IP 68 cable gland
1 PG 09 threaded endbell only	B PG 09 6-10 mm Ø	5 PG 09 6-10 mm Ø	I PG 09 5-9mm Ø
2 PG 11 threaded endbell only	C PG 11 8-12 mm Ø		K PG 11 6-10mm Ø
3 PG 13.5 threaded endbell only	D PG 13.5 10-14 mm Ø		L PG 13.5 8-13mm Ø
	E PG 16 11-15 mm Ø with adaptor	6 PG 11 8-12 mm Ø	M PG 16 (adaptor) 8-14mm Ø
	F M25 11-18 mm Ø with adaptor'	7 PG 13.5 10-14 mm Ø	N M25 (adaptor) 11-18mm Ø

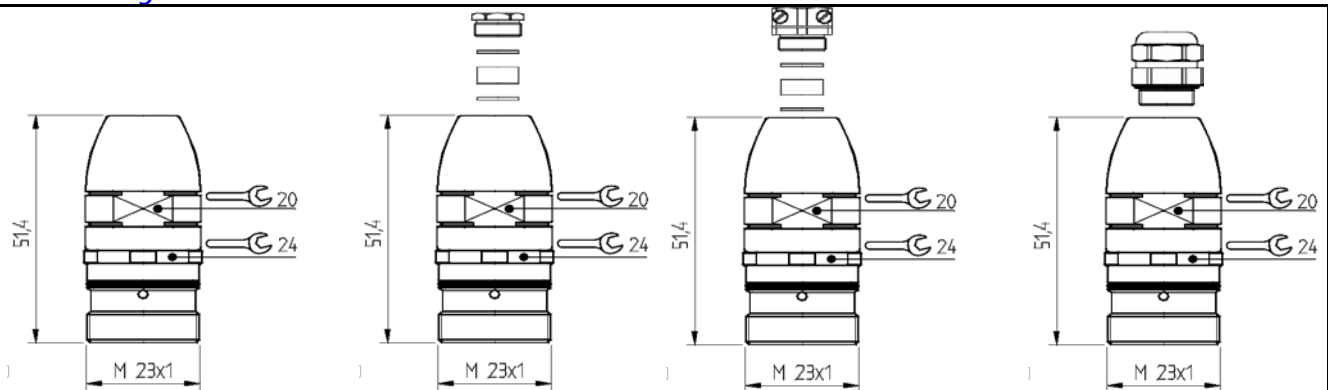


f.e. RC-xxxxxxxLD00

Non-shielded Cable Connectors M23 Series RC

fits all RC/UC Connectors with female coupling nut

Shell style 7



open endbell w/o cable gland

standard fitting

double lever

IP 68 cable gland

Caps and accessories: pages B-H-01...
Mounting tools: pages B-E-01...
Assembly instructions: page B-D-05
Crimp tools for contacts: pages B-B-01...
Crimp contacts: pages B-C-01...

We also deliver as a connector set.
 Connector with crimp insert - and the contacts are separate included.
 Please ask for P/N

Part Number	RC-	x	x	x	x	x	x	x	7	x	0	0
with black O-ring	RC-	Here please fill in the first 7 digits										
with red O-ring	RCRD-	of your desired connector insert										
with yellow O-ring	RCYE-	(6-19 positions) from										
with green O-ring	RCGN-	the page B-A-01										
with blue O-ring	RCBL-	to page B-A-29										



f.e. RC-xxxxxxx7K00

open endbell without cable gland	endbell with double lever cable gland	endbell with standard fitting	endbell with IP 68 cable gland
0 PG 07 threaded endbell only	A PG 07 4-6 mm Ø	4 PG 07 4-6 mm Ø	H PG 07 5-9mm Ø
1 PG 09 threaded endbell only	B PG 09 6-10 mm Ø		I PG 09 3-7mm Ø
2 PG 11 threaded endbell only	C PG 11 8-12 mm Ø	5 PG 09 6-10 mm Ø	K PG 11 6-10mm Ø
3 PG 13.5 threaded endbell only	D PG 13.5 10-14 mm Ø	6 PG 11 8-12 mm Ø	L PG 13.5 8-13mm Ø
	E PG 16 11-15 mm Ø with adaptor	7 PG 13.5 10-14 mm Ø	M PG 16 (adaptor) 8-14mm Ø
	F M25 11-18 mm Ø with adaptor'		N M25 (adaptor) 11-18mm Ø

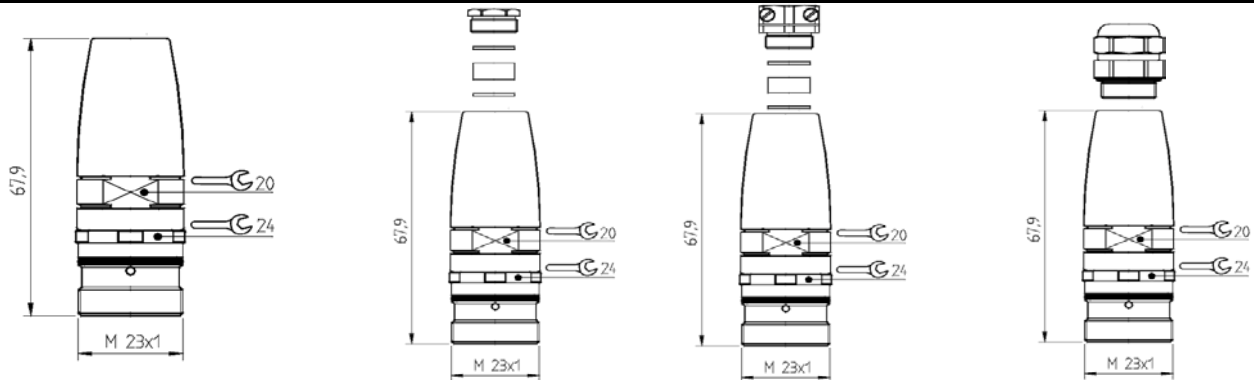


f.e. RC-xxxxxxx7600

Non-shielded Cable Connectors M23 Series RC

fits all RC/UC Connectors with female coupling nut

Shell style J



open endbell w/o cable gland

standard fitting

double lever

IP 68 cable gland

Caps and accessories: pages B-H-01...
Mounting tools: pages B-E-01...
Assembly instructions: page B-D-05
Crimp tools for contacts: pages B-B-01...
Crimp contacts: pages B-C-01...

We also deliver as a connector set.
 Connector with crimp insert - and the contacts are separate included.
 Please ask for P/N

Part Number	RC-	x	x	x	x	x	x	x	J	x	0	0	
with black O-ring	RC-	Here please fill in the first 7 digits of your desired connector insert (6-19 positions) from the page B-A-01 to page B-A-29											
with red O-ring	RCRD-												
with yellow O-ring	RCYE-												
with green O-ring	RCGN-												
with blue O-ring	RCBL-												



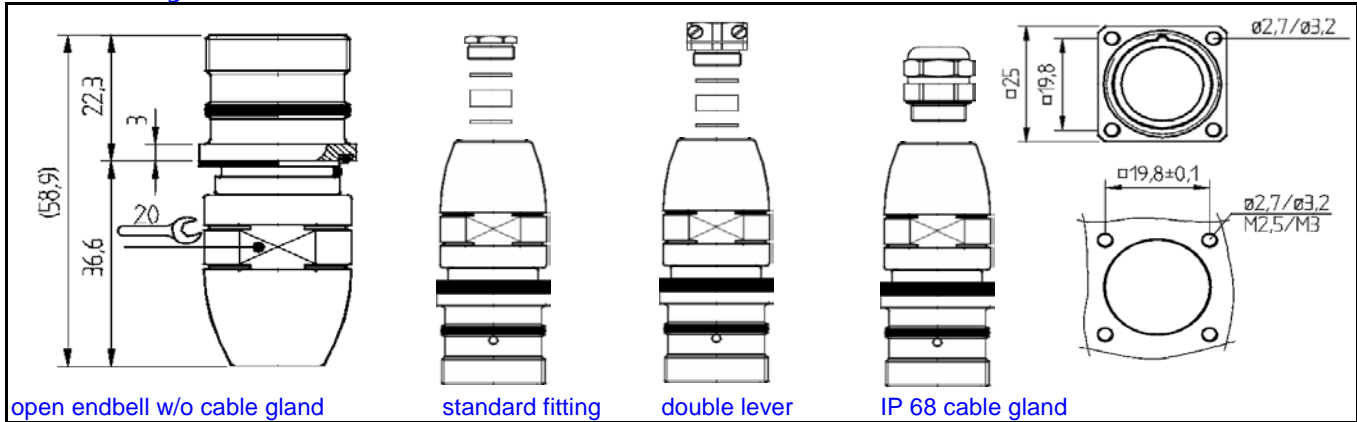
f.e. RC-xxxxxxxJE00

open endbell without cable gland	endbell with double lever cable gland	endbell with standard fitting	endbell with IP 68 cable gland
1 PG 09 threaded endbell only	B PG 09 6-10 mm Ø	5 PG 09 6-10 mm Ø	I PG 09 5-9mm Ø
2 PG 11 threaded endbell only	C PG 11 8-12 mm Ø	6 PG 11 8-12 mm Ø	K PG 11 6-10mm Ø
3 PG 13.5 threaded endbell only	D PG 13.5 10-14 mm Ø	7 PG 13.5 10-14 mm Ø	L PG 13.5 8-13mm Ø
	E PG 16 11-15 mm Ø with adaptor		M PG 16 (adaptor) 8-14mm Ø
	F M25 11-18 mm Ø with adaptor'		N M25 (adaptor) 11-18mm Ø



f.e. RC-xxxxxxxJK00

Non-shielded Cable Connectors M23 Series RC
 fits all RC/UC Connectors with female coupling nut
 Shell style 3 • front mount •

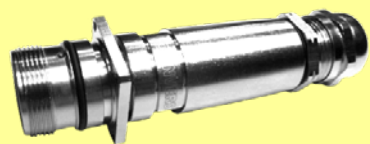


Caps and accessories: pages B-H-01...
Mounting tools: pages B-E-01...
Assembly instructions: page B-D-05
Crimp tools for contacts: pages B-B-01...
Crimp contacts: pages B-C-01...

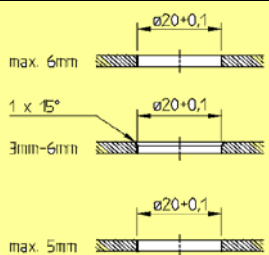
We also deliver as a connector set.
 Connector with crimp insert - and the contacts are separate included.
 Please ask for P/N

Part Number	RC-	X	X	X	X	X	X	X	3	X	X	X	
with black O-ring	RC-	Here please fill in the first 7 digits of your desired connector insert									Z	A	gasket, 4 holes 2.7 mm Ø
with red O-ring	RCRD-	(6-19 positions) from the page B-A-01 to page B-A-29									Z	B	gasket 4 holes 3.2 mm Ø
with yellow O-ring	RCYE-										Z	C	O-ring radial, 4 holes 2.7 mm
with green O-ring	RCGN-										Z	D	O-ring radial, 4 holes 3.2 mm
with blue O-ring	RCBL-										Z	E	O-ring axial, 4 holes 2.7 mm
											Z	F	O-ring axial, 4 holes 3.2 mm

open endbell without cable gland	endbell with double lever cable gland	endbell with standard fitting	endbell with IP 68 cable gland
0 PG 07 threaded endbell only	A PG 07 4-6 mm Ø	4 PG 07 4-6 mm Ø	H PG 07 3-7mm Ø
1 PG 09 threaded endbell only	B PG 09 6-10 mm Ø	5 PG 09 6-10 mm Ø	I PG 09 5-9mm Ø
2 PG 11 threaded endbell only	C PG 11 8-12 mm Ø	6 PG 11 8-12 mm Ø	K PG 11 6-10mm Ø
3 PG 13.5 threaded endbell only	D PG 13.5 10-14 mm Ø	7 PG 13.5 10-14 mm Ø	L PG 13.5 8-13mm Ø
	E PG 16 11-15 mm Ø with adaptor		M PG 16 (adaptor) 8-14mm Ø
	F M25 11-18 mm Ø with adaptor		N M25 (adaptor) 11-18mm Ø



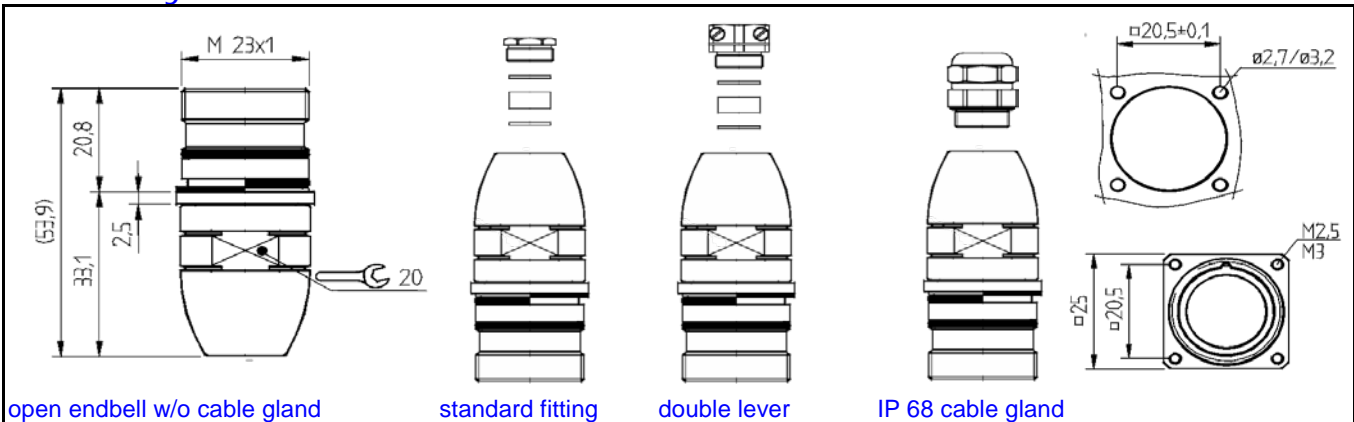
f.e. RC-xxxxxxx3LZF



O-ring axial
 O-ring radial
 Gasket




Non-shielded Cable Connectors M23 Series RC
 fits all RC/UC Connectors with female coupling nut
Shell style U • rear mount •

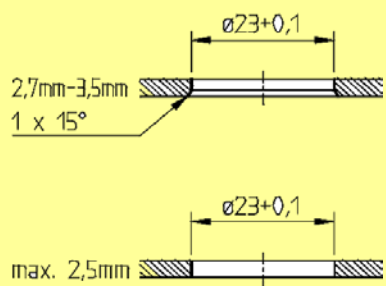


Caps and accessories: pages B-H-01...
Mounting tools: pages B-E-01...
Assembly instructions: page B-D-05
Crimp tools for contacts: pages B-B-01...
Crimp contacts: pages B-C-01...

We also deliver as a connector set.
 Connector with crimp insert - and the contacts are separate included.
 Please ask for P/N

Part Number	RC-	X	X	X	X	X	X	X	U	X	X	X	
with black O-ring	RC-	Here please fill in the first 7 digits of your desired connector insert									Z	A	gasket, 4 threads M2.5
with red O-ring	RCRD-	(6-19 positions) from the page B-A-01 to page B-A-29 									Z	B	gasket, 4 threads M3
with yellow O-ring	RCYE-										Z	C	O-ring radial, 4 threads M2.5
with green O-ring	RCGN-										Z	D	O-ring radial, 4 threads M3
with blue O-ring	RCBL-												

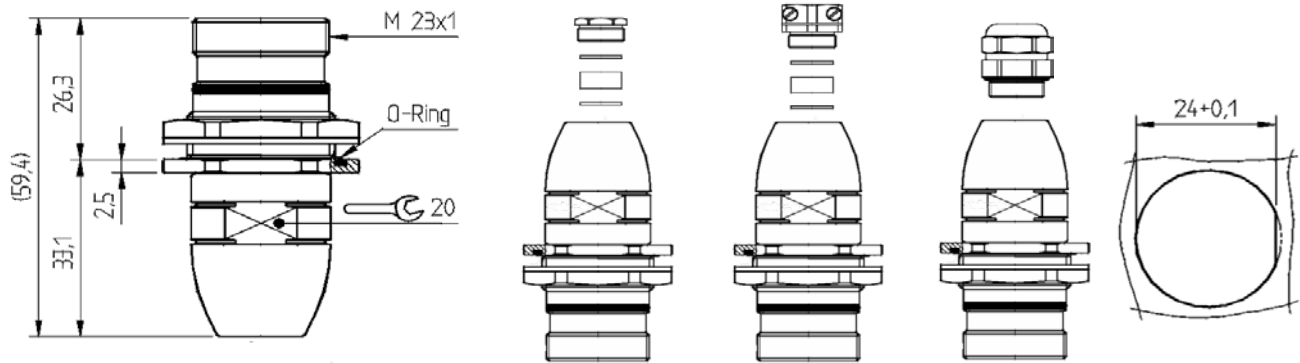
open endbell without cable gland	endbell with double lever cable gland	endbell with standard fitting	endbell with IP 68 cable gland
0 PG 07 threaded endbell only	A PG 07 4-6 mm Ø	4 PG 07 4-6 mm Ø	H PG 07 3-7mm Ø
1 PG 09 threaded endbell only	B PG 09 6-10 mm Ø	5 PG 09 6-10 mm Ø	I PG 09 5-9mm Ø
2 PG 11 threaded endbell only	C PG 11 8-12 mm Ø	6 PG 11 8-12 mm Ø	K PG 11 6-10mm Ø
3 PG 13.5 threaded endbell only	D PG 13.5 10-14 mm Ø	7 PG 13.5 10-14 mm Ø	L PG 13.5 8-13mm Ø
	E PG 16 11-15 mm Ø with adaptor		M PG 16 (adaptor) 8-14mm Ø
	F M25 11-18 mm Ø with adaptor'		N M25 (adaptor) 11-18mm Ø



f.e. RC-xxxxxxxULZB



Non-shielded Cable Connectors M23 Series RC
 fits all RC/UC Connectors with female coupling nut
 Shell style G • rear mount •



open endbell w/o cable gland

standard fitting

double lever

IP 68 cable gland

Caps and accessories: pages B-H-01...
Mounting tools: pages B-E-01...
Assembly instructions: page B-D-05
Crimp tools for contacts: pages B-B-01...
Crimp contacts: pages B-C-01...

We also deliver as a connector set.
 Connector with crimp insert - and
 the contacts are
 separate included.
 Please ask for P/N



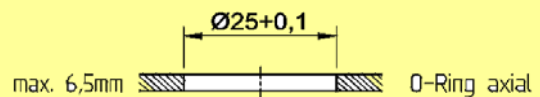
Part Number	RC-	X	X	X	X	X	X	X	G	X	0	0	
with black washer/O-ring	RC-	Here please fill in the first 7 digits											
with red washer/O-ring	RCRD-	of your desired connector insert											
with yellow washer/O-ring	RCYE-	(6-19 positions) from											
with green washer/O-ring	RCGN-	the page B-A-01											
with blue washer/O-ring	RCBL-	to page B-A-29											



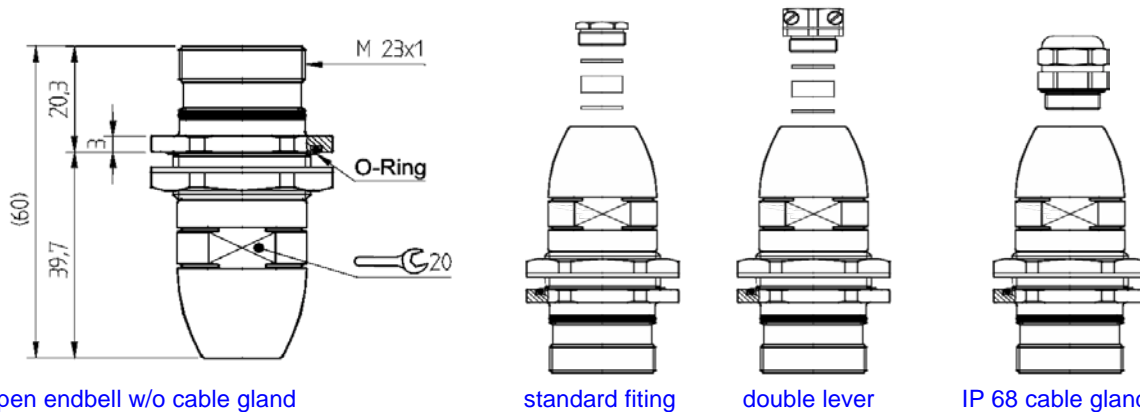
open endbell without cable gland	endbell with double lever cable gland	endbell with standard fitting	endbell with IP 68 cable gland
0 PG 07 threaded endbell only	A PG 07 4-6 mm Ø	4 PG 07 4-6 mm Ø	H PG 07 3-7mm Ø
1 PG 09 threaded endbell only	B PG 09 6-10 mm Ø	5 PG 09 6-10 mm Ø	I PG 09 5-9mm Ø
2 PG 11 threaded endbell only	C PG 11 8-12 mm Ø	6 PG 11 8-12 mm Ø	K PG 11 6-10mm Ø
3 PG 13.5 threaded endbell only	D PG 13.5 10-14 mm Ø	7 PG 13.5 10-14 mm Ø	L PG 13.5 8-13mm Ø
	E PG 16 11-15 mm Ø with adaptor		M PG 16 (adaptor) 8-14mm Ø
	F M25 11-18 mm Ø with adaptor'		N M25 (adaptor) 11-18mm Ø



f.e. RC-xxxxxxxGD00



Non-shielded Cable Connectors M23 Series RC
 fits all RC/UC Connectors with female coupling nut
 Shell style P • front mount •



open endbell w/o cable gland

standard fitting

double lever

IP 68 cable gland

Caps and accessories: pages B-H-01...
Mounting tools: pages B-E-01...
Assembly instructions: page B-D-05
Crimp tools for contacts: pages B-B-01...
Crimp contacts: pages B-C-01...

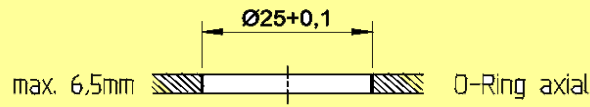
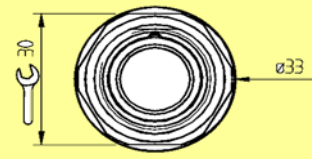
We also deliver as a connector set.
 Connector with crimp insert - and
 the contacts are
 separate included.
 Please ask for P/N

Part Number	RC-	x	x	x	x	x	x	x	P	x	0	0	
with black O-ring	RC-	Here please fill in the first 7 digits											
with red O-ring	RCRD-	of your desired connector insert											
with yellow O-ring	RCYE-	(6-19 positions) from											
with green O-ring	RCGN-	the page B-A-01											
with blue O-ring	RCBL-	to page B-A-29											

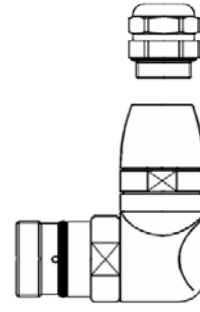
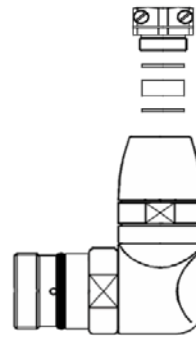
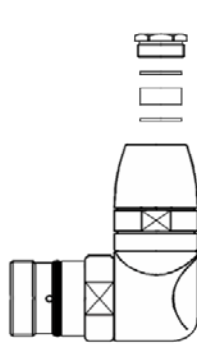
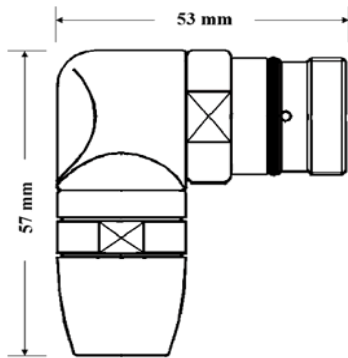
open endbell without cable gland	endbell with double lever cable gland	endbell with standard fitting	endbell with IP 68 cable gland
0 PG 07 threaded endbell only	A PG 07 4-6 mm Ø	4 PG 07 4-6 mm Ø	H PG 07 3-7mm Ø
1 PG 09 threaded endbell only	B PG 09 6-10 mm Ø	5 PG 09 6-10 mm Ø	I PG 09 5-9mm Ø
2 PG 11 threaded endbell only	C PG 11 8-12 mm Ø	6 PG 11 8-12 mm Ø	K PG 11 6-10mm Ø
3 PG 13.5 threaded endbell only	D PG 13.5 10-14 mm Ø	7 PG 13.5 10-14 mm Ø	L PG 13.5 8-13mm Ø
	E PG 16 11-15 mm Ø with adaptor		M PG 16 (adaptor) 8-14mm Ø
	F M25 11-18 mm Ø with adaptor		N M25 (adaptor) 11-18mm Ø



f.e. RC-xxxxxxxPD00



Non-shielded Cable Connectors M23 Series RC
 fits all RC/UC Connectors with female coupling nut
 Shell style 7W angled



open endbell w/o cable gland

standard fitting

double lever

IP 68 cable gland

Caps and accessories: pages B-H-01...
Mounting tools: pages B-E-01...
Assembly instructions: page B-D-05
Crimp tools for contacts: pages B-B-01...
Crimp contacts: pages B-C-01...

We also deliver as a connector set.
 Connector with crimp insert - and the contacts are separate included.
 Please ask for P/N

Part Number	RC-	x	x	x	x	x	x	x	7	W	x	x	
with black O-ring	RC-	Here please fill in the first 7 digits of your desired connector insert (6-19 positions) from the page B-A-01 to page B-A-29											
with red O-ring	RCRD-												
with yellow O-ring	RCYE-												
with green O-ring	RCGN-												
with blue O-ring	RCBL-												

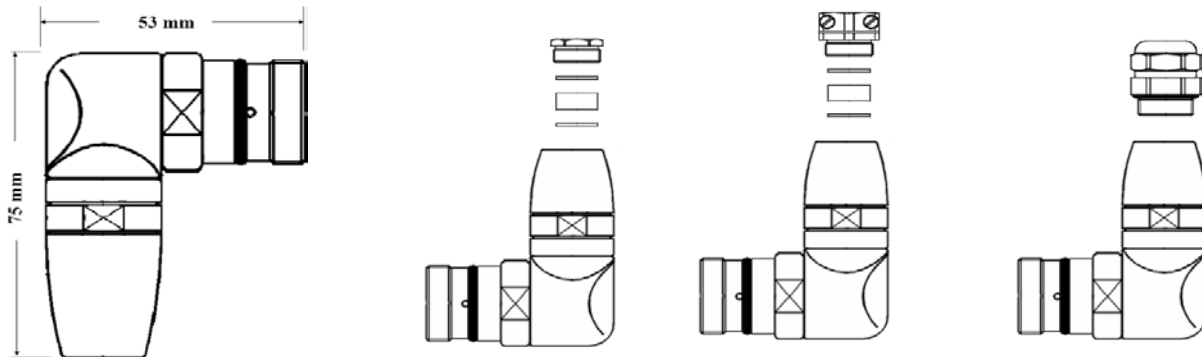


f.e. RC-xxxxxxx7WP3

open endbell without cable gland	endbell with double lever cable gland	endbell with standard fitting	endbell with IP 68 cable gland
07 PG 07 threaded endbell only	0A PG 07 4-6 mm Ø	S1 PG 07 4-6 mm Ø	P1 PG 07 3-7mm Ø
00 PG 09 threaded endbell only	0B PG 09 6-10 mm Ø		P2 PG 09 5-9mm Ø
11 PG 11 threaded endbell only	0C PG 11 8-12 mm Ø	S2 PG 09 6-10 mm Ø	P3 PG 11 6-10mm Ø
13 PG 13.5 threaded endbell only	0D PG 13.5 10-14 mm Ø		P4 PG 13.5 8-13mm Ø
 f.e. RC-xxxxxxx7W0C	0E PG 16 11-15 mm Ø with adaptor	S3 PG 11 8-12 mm Ø	P5 PG 16 (adaptor) 8-14mm Ø
	0F M25 11-18 mm Ø with adaptor'	S4 PG 13.5 10-14 mm Ø	P6 M25 (adaptor) 11-18mm Ø



Non-shielded Cable Connectors M23 Series RC
 fits all RC/UC Connectors with female coupling nut
 Shell style JW angled, long version



open endbell w/o cable gland

standard fitting

double lever

IP 68 cable gland

Caps and accessories: pages B-H-01...
Mounting tools: pages B-E-01...
Assembly instructions: page B-D-05
Crimp tools for contacts: pages B-B-01...
Crimp contacts: pages B-C-01...

We also deliver as a connector set.
 Connector with crimp insert - and the contacts are separate included.
 Please ask for P/N

Part Number	RC-	x	x	x	x	x	x	x	J	W	x	x	
with black O-ring	RC-	Here please fill in the first 7 digits of your desired connector insert											
with red O-ring	RCRD-	(6-19 positions) from the page B-A-01											
with yellow O-ring	RCYE-	to page B-A-29											
with green O-ring	RCGN-												
with blue O-ring	RCBL-												



f.e. RC-xxxxxxxJWS4

open endbell without cable gland	endbell with double lever cable gland	endbell with standard fitting	endbell with IP 68 cable gland
09 PG 09 threaded endbell only	OB PG 09 6-10 mm Ø		
11 PG 11 threaded endbell only	OC PG 11 8-12 mm Ø		P2 PG 09 5-9mm Ø
13 PG 13.5 threaded endbell only	OD PG 13.5 10-14 mm Ø	S2 PG 09 6-10 mm Ø	P3 PG 11 6-10mm Ø
 f.e. RC-xxxxxxxJW0D	OE PG 16 11-15 mm Ø with adaptor	S3 PG 11 8-12 mm Ø	P4 PG 13.5 8-13mm Ø
	OF M25 11-18 mm Ø with adaptor'	S4 PG 13.5 10-14 mm Ø	P5 PG 16 (adaptor) 8-14mm Ø
			P6 M25 (adaptor) 11-18mm Ø