



Member of the Phoenix Contact Group

S L Series M58

Shielded Power Connectors M58

Shielded Power Connectors M58 Series SL

Technical Data



Shell material

Machined components: Aluminum, anodized

Cable entry: max. 36 mm

Insulator

Connector inserts: Polyamide (PA66) UL 94 V0

Contacts

Contact material: Copper-Zinc alloy (CuZn)

Contact plating power and PE: silver plated (Ag)

Contact plating signal: gold plated (Au)

Contact termination: crimp type

Sealing

Sealing rings: Fluor rubber FPM

Gaskets: Fluor rubber FPM

Temperature

Temperature (long term) Celsius: - 20 °C up to + 125°C

Temperature (long term) Fahrenheit: - 4 °F up to + 257 °F

Mating

Mating cycles: Standard min. 50

Female coupling nuts: M58 screw locking

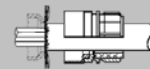
Male receptacles: M58 screw locking

Protection

Protection class : IP 67 (mated) depends on which cable gland is used



All connectors with different shielding material for different jacket and shield diameters.



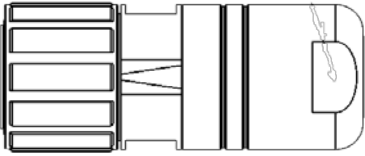
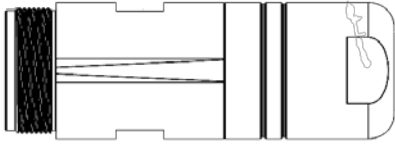
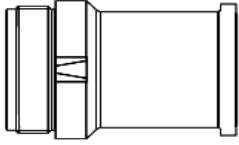
EMC
shielding



Number of positions	6	8			
Number of contacts	2 + 3 + PE	4 + 3 + PE			
Contact dia. (mm Ø)	1.6 + 10 + 10	1.6 + 10 + 10			
Rated current at 25° (A)	12/150	12/150			
Rated voltage (V)	250/630	250/630			
Test voltage (V)	4,000/6,000	4,000/6,000			
Surge voltage category	III	III			
Installation altitude above sea level	2,000 m	2,000 m			
Wiring size AWG	18-16	18-16			
Wiring size AWG	8--1	8--1			

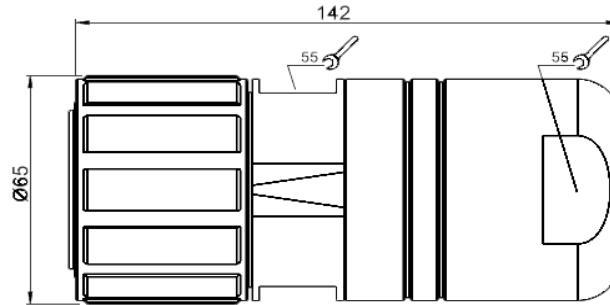
Shielded Power Connectors M58 Series SL
Shell styles 8, 9



SL-xxxxxxx8xxx page C-R-03	SL-xxxxxxx9xxx page C-R-04	SLxxxxxxxWxxx page C-R-05
Cable connector, straight with female coupling nut cable entry max. 36.0 mm universal shielding material	Cable connector, straight with male thread cable entry max. 36.0 mm universal shielding material	Panel connector, straight square flange with 4 holes 5.4 mm front mount, O-ring axial with male thread
 <p style="text-align: center;">style 8</p>	 <p style="text-align: center;">style 9</p>	 <p style="text-align: center;">style WA</p>



Shielded Power Connectors M58 Series SL
 fits all SL Connectors with male thread
 Shell style 8



Caps and accessories: pages B-H-01...
Mounting tools: N/A
Assembly instructions: page B-D-31
Crimp tools for contacts: pages B-B-03...
Crimp contacts: pages B-C-60...

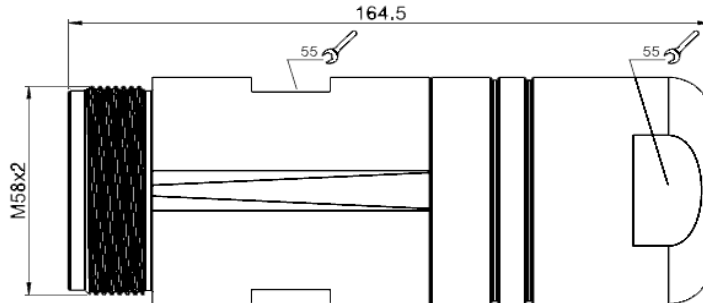
We also deliver as a connector set.
 Connector with crimp insert - and
 the contacts are separate included.
 Please ask for P/N

Part Number	SL-	x	x	x	x	x	x	x	x	x	x	x	
6 pos. (2+3+PE) female		5	E	S	1	N	8	A					
8 pos. (4+3+PE) female		7	E	S	1	N	8	A					
Please fill in the P/N of your desired connector crimp insert without contacts.													
Connectors with integrated strain relief, and....													
seal ring for cable diameters from 17.0 up to 25.0 mm										8	0	0	2
seal ring for cable diameters from 25.0 up to 36.0 mm										8	0	0	1








Shielded Power Connectors M58 Series SL
 fits all SL Connectors with female coupling nut
 Shell style 9



Caps and accessories: pages B-H-01...
Mounting tools: N/A
Assembly instructions: page B-D-31
Crimp tools for contacts: pages B-B-03...
Crimp contacts: pages B-C-60...

We also deliver as a connector set.
 Connector with crimp insert - and
 the contacts are separate included.
 Please ask for P/N

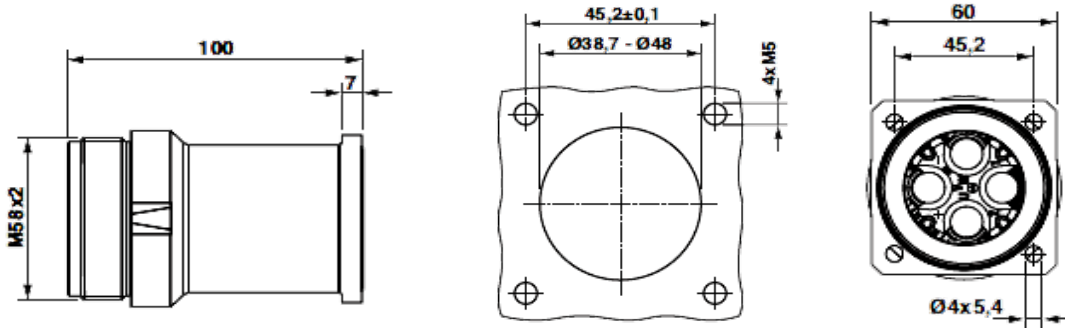


Part Number	SL-	x	x	x	x	x	x	x	x	x	x	x	
6 pos. (2+3+PE) male		5	E	P	1	N	8	A					
8 pos. (4+3+PE) male		7	E	P	1	N	8	A					
Please fill in the P/N of your desired connector crimp insert without contacts.													
Connectors with integrated strain relief, and....													
seal ring for cable diameters from 17.0 up to 25.0 mm										9	0	0	2
seal ring for cable diameters from 25.0 up to 36.0 mm										9	0	0	1





Shielded Power Connectors M58 Series SL
 fits all SL Connectors with female coupling nut
 Shell style WA



Caps and accessories: pages B-H-01...
Mounting tools: N/A
Assembly instructions: page B-D-31
Crimp tools for contacts: pages B-B-03...
Crimp contacts: pages B-C-60...

We also deliver as a connector set.
 Connector with crimp insert - and
 the contacts are separate included.
 Please ask for P/N



Part Number	SL-	x	x	x	x	x	x	x	x	x	x	x
6 pos. (2+3+PE) male		5	E	P	1	N	8	A				
8 pos. (4+3+PE) male		7	E	P	1	N	8	A				
Please fill in the P/N of your desired connector crimp insert without contacts.												
Panel connector, front mount, 4 holes 5.4 mm ø										W A O O		
straight body, fixed												

