



Member of the Phoenix Contact Group

S S R Series

unshielded Connectors M23
the stainless steel program

Connectors M23 Series SSR

Technical Data



Shell material	
Machined components:	Stainless Steel
Cable entry:	max. 19 mm
Insulator	
Connector inserts:	Thermoplastic polyester (PBT), Polyamid (PA66),
Contacts	
Contact material:	Copper-Zinc alloy (CuZn)
Contact plating:	Nickel (Ni) with gold (Au) passivated
Contact termination:	Solder cup, crimp type, screw type, dip solder
Sealing	
Sealing rings:	FKM viton
Gaskets:	FKM viton
Temperature	
Temperature (long term) Celsius:	- 40 °C up to +125°C
Temperature (long term) Fahrenheit:	- 40 °F up to + 257 °F
Mating	
Female coupling nuts:	M23 screw locking
Male receptacles:	M23 screw locking
Mating cycles:	Standard min. 50
Protection	
Protection class :	IP 67 (mated) depends on which cable gland is used

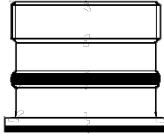
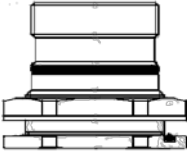


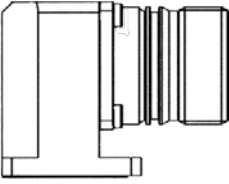


Number of positions	6,7	9 (8+1)	9 (6+3)	12	16	17	19 (16+3)
Number of contacts	6,7	8 1	6 3	12	16	17	16 3
Contact dia. (mm Ø)	2	1 2	1 2	1	1	1	1 1.5
Rated current at 25°C (A)	20	8 20	8 20	8	8	8	8 10
Rated voltage (V)	250	150	150	150	150	150	150
Test voltage (Volt AC)	2,500	1,500	1,500	1,500	1,500	1,500	1,500
Overvoltage category DIN EN 61984-2001	II	II	II	II	II	II	II
Insulation resistance (Ω)	≥10 ¹⁶	≥10 ¹⁶	≥10 ¹²	≥10 ¹²	≥10 ¹²	≥10 ¹²	≥10 ¹²
Contact resistance (mΩ)	≤3	≤3	≤3	≤3	≤3	≤3	≤3
Pollution degree acc. to IEC 664-1	2 (3 ¹)	2 (3 ¹)	2 (3 ¹)	2 (3 ¹)	2 (3 ¹)	2 (3 ¹)	2 (3 ¹)

stainless steel




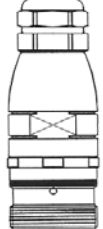
Bulkhead Connectors M23 Series SSR
Shell styles 2, H, 6, 6-USA, RA

<p>SSR-xxxxxxx2300 page C-H-05</p>	<p>SSR-xxxxxxxH000 page C-H-06</p>	<p>SSR-xxxxxxx6x00 page C-H-07</p>
<p>front mount, straight square flange, gasket flange with holes male thread M 23</p>	<p>rear mount, straight round flange, O-ring hex nut from the front male thread M 23</p>	<p>front mount, straight round flange, gasket - O-ring and/or lock nut from the back male thread M 23</p>
		
<p>style 23</p>	<p>style H0</p>	<p>style 6</p>
<p>SSR-xxxxxxx6x00 page C-H-08</p>	<p>SSR-xxxxxxxRA00 page C-H-09</p>	
<p>front mount, straight round flange, gasket lock nut from the back male thread M 23</p>	<p>front mount, right angled square flange, gasket flange with holes male thread M 23</p>	
		
<p>style 6 USA flange</p>	<p>style RA</p>	

stainless steel



Cable Connectors M23 Series SSR
Shell styles 1, 7

SSR-xxxxxxx1xxx page C-H-15	SSR-xxxxxxx7xxx page C-H-16	
Cable connector, straight with female coupling nut cable entry max. 19 mm unshielded	cable connector, straight with male thread cable entry max. 19 mm unshielded	
 <p style="text-align: center;">style 1</p>	 <p style="text-align: center;">style 7</p>	

Stainless Steel



Bulkhead Connectors M23 Series SSR

fits all UC/RC/SSR Connectors with female coupling nut

Shell style 2 • front mount receptacle •

<p>mounting dimensions</p> <p>mounting hole</p>	<p>connector dimensions</p> <p>Flat gasket</p>
<p>Caps and accessories: pages B-H-01...</p> <p>Mounting tools: pages B-E-01...</p> <p>Assembly instructions: page B-D-03</p> <p>Crimp tools for contacts: pages B-B-01...</p> <p>Crimp contacts: pages B-C-01...</p>	<p>We also deliver as a connector set. Connector with crimp insert - and the contacts are separate included. Please ask for P/N</p>

Part Number	SSR-	x	x	x	x	x	x	x	2	3	0	0
-------------	------	---	---	---	---	---	---	---	---	---	---	---

with black O-ring	SSR-	Here please fill in the first 7 digits of your desired connector insert (6-19 positions) from page B-A-01 to page B-A-29
with red O-ring	SSRR-	
with yellow O-ring	SSRY-	
with green O-ring	SSRG-	
with blue O-ring	SSRB-	



Stainless Steel



Bulkhead Connectors M23 Series SSR

fits all UC/RC/SSR Connectors with female coupling nut

Shell style H • rear mount receptacle •

<p style="text-align: center;">mounting dimensions</p> <p style="text-align: center;">O-Ring axial M25</p>	<p style="text-align: center;">connector dimensions</p> <p style="text-align: center;">include washer and nut</p>
<p>Caps and accessories: pages B-H-01...</p> <p>Mounting tools: pages B-E-01...</p> <p>Assembly instructions: page B-D-03</p> <p>Crimp tools for contacts: pages B-B-01...</p> <p>Crimp contacts: pages B-C-01...</p>	<p>We also deliver as a connector set. Connector with crimp insert - and the contacts are separate included. Please ask for P/N</p>

Part Number	SSR-	x	x	x	x	x	x	x	H	0	0	0
with black O-ring	SSR-	<div style="background-color: #ffcc99; padding: 5px;"> <p>Here please fill in the first 7 digits of your desired connector insert (6-19 positions) from page B-A-01 to page B-A-29</p> </div>										
with red O-ring/washer	SSRR-											
with yellow O-ring/washer	SSRY-											
with green O-ring/washer	SSRG-											
with blue O-ring/washer	SSRB-											

Stainless Steel




Bulkhead Connectors M23 Series SSR

fits all UC/RC/SSR Connectors with female coupling nut

Shell style 6 • front mount receptacle •

<p style="text-align: center;">mounting dimensions</p>	<p style="text-align: center;">connector dimensions</p>
<p>Caps and accessories: pages B-H-01...</p> <p>Mounting tools: pages B-E-01...</p> <p>Assembly instructions: page B-D-03</p> <p>Crimp tools for contacts: pages B-B-01...</p> <p>Crimp contacts: pages B-C-01...</p>	<p>We also deliver as a connector set. Connector with crimp insert - and the contacts are separate included. Please ask for P/N</p>

Part Number	SSR-	x	x	x	x	x	x	x	6	x	x	x	
with black O-ring	SSR-	Here please fill in the first 7 digits of your desired connector insert (6-19 positions) from page B-A-01 to page B-A-29 							O S R M20, 6 mm thread, seal ring				
with red O-ring	SSRR-								O W W same, with washer				
with yellow O-ring	SSRY-								O O O same, with washer and nut				
with green O-ring	SSRG-								R S R M20, 10 mm thread, seal ring				
with blue O-ring	SSRB-								R W W same, with washer R O O same, with washer and nut				



f.e. SSR-xxxxxxx6R00

Stainless Steel



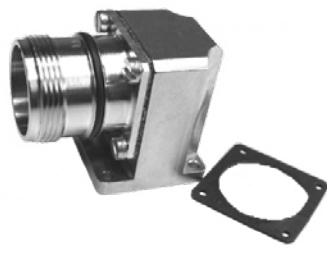
Bulkhead Connectors M23 Series SSR

fits all UC/RC/SSR Connectors with female coupling nut

Shell style RA • front mount receptacle •

<p>mounting dimensions</p> <p>connector dimensions</p> <p style="text-align: center;">Connector with O-ring and gasket</p>	<p>Caps and accessories: pages B-H-01...</p> <p>Mounting tools: pages B-E-01...</p> <p>Assembly instructions: page B-D-03</p> <p>Crimp tools for contacts: pages B-B-01...</p> <p>Crimp contacts: pages B-C-01...</p>
<p>We also deliver as a connector set. Connector with crimp insert - and the contacts are separate included. Please ask for P/N</p>	

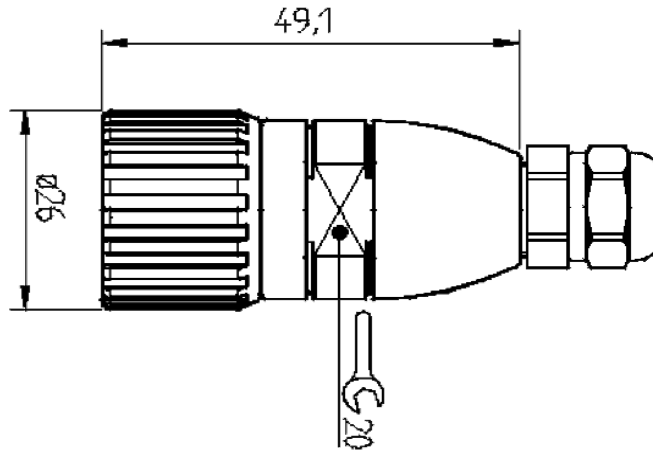
Part Number	SSR-	x	x	x	x	x	x	x	R	A	x	x	
with black O-ring	SSR-	Here please fill in the first 7 digits of your desired connector insert (6-19 positions) from page B-A-01 to page B-A-29										0 0 with 4 holes 2.7 mm Ø	
with red O-ring	SSRR-											0 1 with 4 holes 3.2 mm Ø	
with yellow O-ring	SSRY-												
with green O-ring	SSRG-												
with blue O-ring	SSRB-												



Stainless Steel




Non shielded Cable Connectors M23 Series SSR
 fits all UC/RC/SSR Connectors with male thread
 Shell style 1



Caps and accessories: pages B-H-01...
Mounting tools: pages B-E-01...
Assembly instructions: page B-D-05
Crimp tools for contacts: pages B-B-01...
Crimp contacts: pages B-C-01...

We also deliver as a connector set.
 Connector with crimp insert - and
 the contacts are separate included.
 Please ask for P/N

Part Number	SSR-	x	x	x	x	x	x	x	1	x	x	x	
with S/S steel coupling	SSR-	Here please fill in the first 7 digits of your desired connector insert (6-19 positions) from page B-A-01 to page B-A-29 											
with red coupling nut	SSRR-												
with yellow coupling nut	SSRY-												
with green coupling nut	SSRG-												
with blue coupling nut	SSRB-												
										E	1	6	without cable gland endbell threaded M16x1.5
										E	2	0	without cable gland endbell threaded M20x1.5
										M	1	6	with IP 68 cable gland M16, cable entry 5-10 mm
										M	2	0	with IP 68 cable gland M20, cable entry 9-14 mm
										M	2	5	with IP 68 cable gland M25, cable entry 13-19 mm (with adaptor)

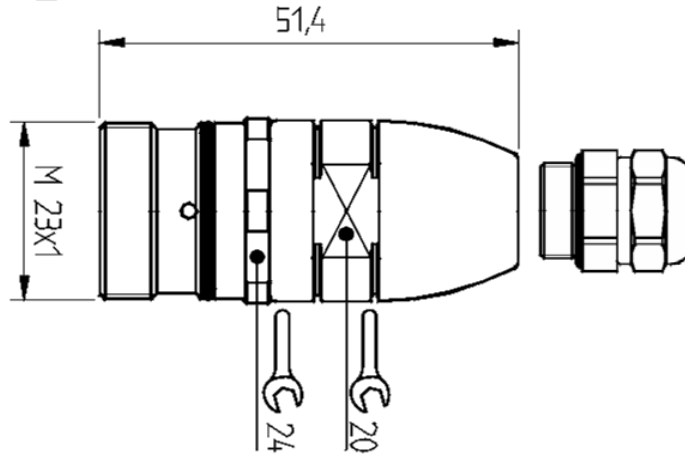


f.e. SSR-xxxxxxx1M20

Stainless Steel




Non shielded Cable Connectors M23 Series SSR
 fits all UC/RC/SSR Connectors with female coupling nut
 Shell style 7



Caps and accessories: pages B-H-01...
Mounting tools: pages B-E-01...
Assembly instructions: page B-D-05
Crimp tools for contacts: pages B-B-01...
Crimp contacts: pages B-C-01...

We also deliver as a connector set.
 Connector with crimp insert - and
 the contacts are separate included.
 Please ask for P/N

Part Number	SSR-	x	x	x	x	x	x	x	7	x	x	x			
with black O-ring	SSR-	Here please fill in the first 7 digits of your desired connector insert (6-19 positions) from page B-A-01 to page B-A-29 										E	1	6	without cable gland endbell threaded M16x1.5
with red O-ring	SSRR-											E	2	0	without cable gland endbell threaded M20x1.5
with yellow O-ring	SSRY-											M	1	6	with IP 68 cable gland M16, cable entry 5-10 mm
with green O-ring	SSRG-											M	2	0	with IP 68 cable gland M20, cable entry 9-14 mm
with blue O-ring	SSRB-											M	2	5	with IP 68 cable gland M25, cable entry 13-19 mm (with adaptor)



f.e. SSR-xxxxxx7M20