



Member of the Phoenix Contact Group

S T Series

Shielded Connectors M17/Speedcon

Shielded Connectors M17/Speedcon Series ST

Technical Data



Shell material

Machined components: Copper-Zinc alloy (CuZn)
 die cast components: Zinc (GD-Zn)
 Shell plating: Nickel (Ni) plated
 Cable entry: max. 12.5 mm



Insulator

Connector inserts: Polyamid (PA66),

Contacts

Contact material: Copper-Zinc alloy (CuZn)
 Contact plating: Nickel (Ni) with gold (Au) passivated
 Contact termination: crimp type



Sealing

Sealing rings: Fluor rubber (FPM)
 Gaskets: Fluor rubber (FPM)

All connectors with universal shielding material for different jacket and shield diameters.



Temperature

Temperature (long term) Celsius: - 20 °C up to +125°C
 Temperature (long term) Fahrenheit: - 4 °F up to + 257 °F

Mating



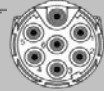




Female coupling nuts: M17, or M17 in Speedcon
 Male receptacles: M17, or M17 in Speedcon
 Mating cycles: Standard min. 50



EMC shielding

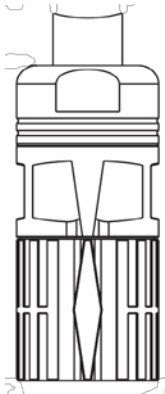
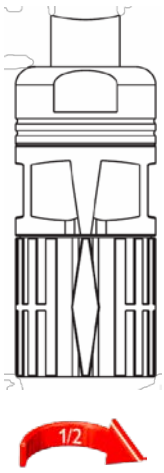
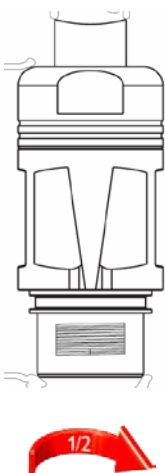
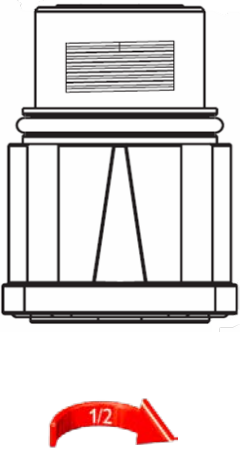
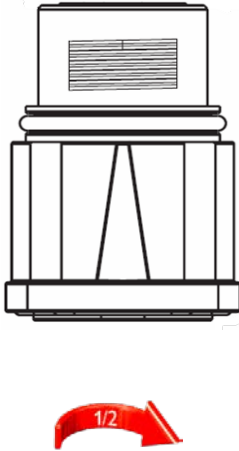
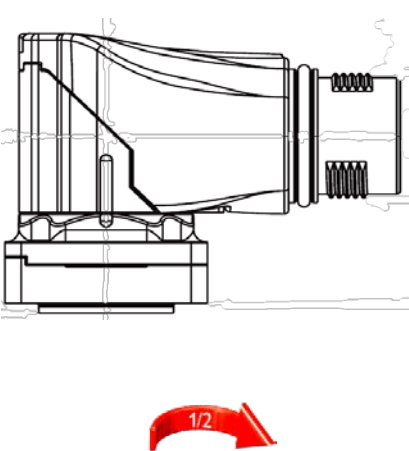
Protection

Protection class : IP 67 (mated) depends on which cable gland is used

							
Number of positions	4	6	7	8	8	12	17
Number of contacts	3 + PE	5 + PE	6 + PE	7 + PE	8	12	17
Contact dia. (mm Ø)	2	1	1	1	1	0.6	0.6
Rated current at 25°C (A)	20/25	14	14	14	3.6	3.6	3.6
Rated voltage (V)	630	630	630	630	60	60	60
Test voltage (Volt AC)	4,000	6,000	6,000	6,000	1,500	1,500	1,500
Overtoltage category DIN EN 61984-2001	III	III	III	III	III	III	III
Installation altitude above sea level	3,000 m	3,000 m	3,000 m	3,000 m	3,000 m	3,000 m	3,000 m

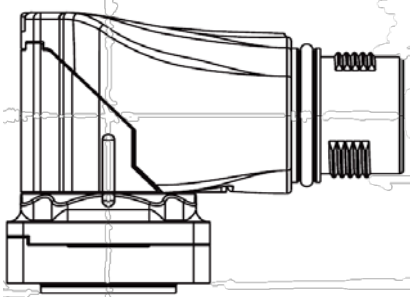

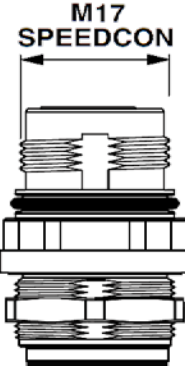

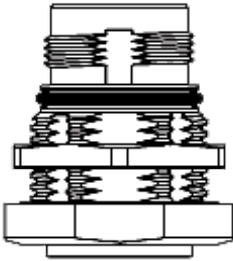



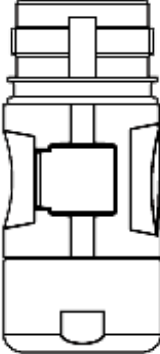

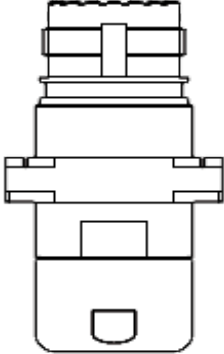

Shielded Connectors M17/Speedcon Series ST
Shell styles 8, 8S, 9S, WQ, W4, AD



ST-xxxxxxx8xxx page C-D-04	ST-xxxxxxx8xxxS page C-D-04	ST-xxxxxxx9xxxS page C-D-05
cable connector straight with coupling nut M17 cable entry max. 12.5 mm universal shielding material	cable connector straight with coupling nut M17 (1/2 turn) cable entry max. 12.5 mm universal shielding material	cable connector straight with outside thread M17 (1/2 turn) cable entry max. 12.5 mm universal shielding material
 <p style="text-align: center;">style 80</p>	 <p style="text-align: center;">style 80</p>	 <p style="text-align: center;">style 90</p>
ST-xxxxxxxWQxxS page C-D-06	ST-xxxxxxxW4xxS page C-D-06	ST-xxxxxxxADxxS page C-D-07
front mount, straight square flange, axial O-ring flange with holes with outside thread M17 (1/2 turn)	front mount, straight, snap in square flange, axial O-ring flange with holes with outside thread M17 (1/2 turn)	front mount, angled rotary square flange, axial O-ring flange 21.6 x 21.6 with holes with outside thread M17 (1/2 turn)
 <p style="text-align: center;">style WQ</p>	 <p style="text-align: center;">style W4</p>	 <p style="text-align: center;">style AD</p>

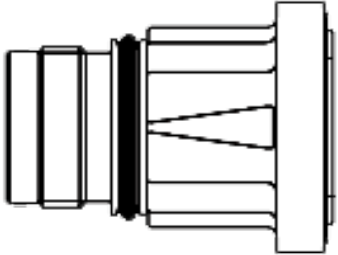

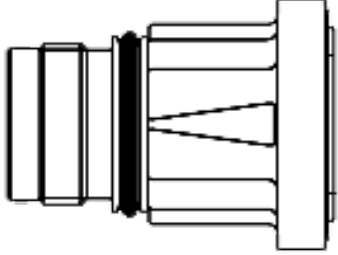

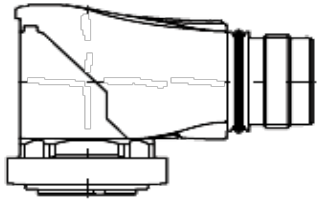

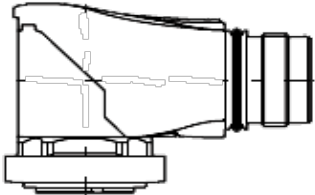

Shielded Connectors M17/Speedcon Series ST
 Shell style AC, 61, H1, 8K, 9K, CK



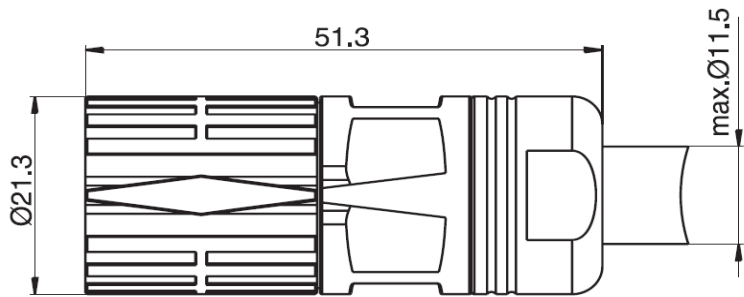
ST-xxxxxxxACxxS page C-D-07	ST-xxxxxxx61xxS page C-D-08	ST-xxxxxxxH1xxS page C-D-09
front mount, angled rotary square flange, axial O-ring flange 25 x 25 with holes with outside thread M17 (1/2 turn)	front mount, straight round flange, axial O-ring mounting thread M18x0.75 mm with outside thread M17 (1/2 turn)	rear mount, straight round flange, axial O-ring mounting thread M20x1.5 mm with outside thread M17 (1/2 turn)
 <p style="text-align: center;">  style AC </p>	 <p style="text-align: center;">  style 61 </p>	 <p style="text-align: center;">  style H1 </p>
ST-xxxxxxx8KxxS page C-D-10	ST-xxxxxxx9KxxS page C-D-11	ST-xxxxxxxCKxxS page C-D-12
cable connector straight with coupling nut M17 (1/2 turn) cable entry max. 12.5 mm universal shielding material	cable connector straight with outside thread M17 (1/2 turn) cable entry max. 12.5 mm universal shielding material	cable connector with flange with outside thread M17 (1/2 turn) cable entry max. 12.5 mm universal shielding material
 <p style="text-align: center;">  style 8K </p>	 <p style="text-align: center;">  style 9K </p>	 <p style="text-align: center;">  style CK </p>

Shielded Connectors M17/Speedcon Series ST
Shell style WK, W5, A4, A5



ST-xxxxxxxWKxxS page C-D-13	ST-xxxxxxxW5xxS page C-D-14	ST-xxxxxxxA4xxS page C-D-15
front mount, straight square flange, axial O-ring flange 25.75 x 25.75 with holes with outside thread M17 (1/2 turn)	front mount, straight square flange, axial O-ring flange 25.75 x 25.75 with holes with outside thread M17 (1/2 turn)	front mount, angled square flange, axial O-ring flange with holes M2.5 with outside thread M17 (1/2 turn)
  style WK	  style W5	  style A4
ST-xxxxxxxA5xxS page C-D-16		
front mount, angled square flange, axial O-ring flange with holes M3 with outside thread M17 (1/2 turn)		
  style A5		

Shielded Connectors M17/Speedcon Series ST
 fits all ST- Bulkhead
 Shell style 80xx/80xxS



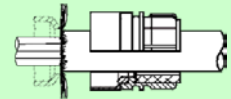
standard or speedcon

Assembly instructions: page B-D-38
 Caps and accessories: pages: B-H-01...

Mounting tools: N/A

Crimp tool for contacts: pages B-B-00...
 Crimp contacts: pages B-C-20.....

All ST-connectors with universal shielding material for different jacket and shield diameters.



We also deliver as a connector set.
 Connector with crimp insert - and contacts separate included. Please ask for P/N.



Part Number	ST-	x	x	x	1	N	8	A	8	0	0		
-------------	-----	---	---	---	---	---	---	---	---	---	---	--	--

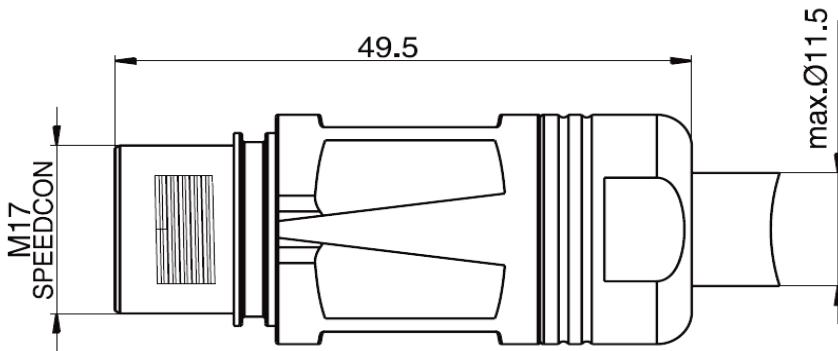
Please fill in the first 7 digits of your desired connector insert (4-17 positions) from pages B-A-50....

Connectors with integrated strain relief and....

seal ring for 3.5 - 4 mm Ø	8	0	0	1	
seal ring for 4 - 5 mm Ø	8	0	0	2	
seal ring for 5 - 8 mm Ø	8	0	0	3	
seal ring for 8 - 10 mm Ø	8	0	0	4	
seal ring for 10 - 12.5 mm Ø	8	0	0	5	
seal ring for 3.5 - 4 mm Ø	8	0	0	1	S
seal ring for 4 - 5 mm Ø	8	0	0	2	S
seal ring for 5 - 8 mm Ø	8	0	0	3	S
seal ring for 8 - 10 mm Ø	8	0	0	4	S
seal ring for 10 - 12.5 mm Ø	8	0	0	5	S



Shielded Connectors M17/Speedcon Series ST
 fits all ST- Bulkhead
 Shell style 90xxS

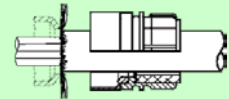


Assembly instructions: page B-D-38
 Caps and accessories: pages: B-H-01...

Mounting tools: N/A

Crimp tool for contacts: pages B-B-00...
 Crimp contacts: pages B-C-20.....

All ST-connectors with universal shielding material for different jacket and shield diameters.



We also deliver as a connector set. Connector with crimp insert - and contacts separate included. Please ask for P/N.



Part Number

ST- x x x 1 N 8 A 9 0 0 x S

Please fill in the first 7 digits of your desired connector insert (4-17 positions) from pages B-A-50....

Connectors with integrated strain relief and....

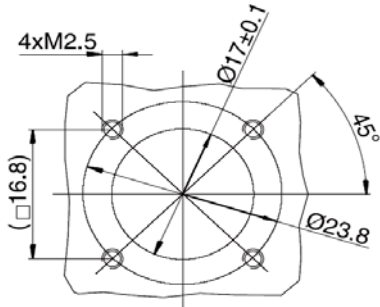
seal ring for 3.5 - 4 mm Ø	9 0 0 1
seal ring for 4 - 5 mm Ø	9 0 0 2
seal ring for 5 - 8 mm Ø	9 0 0 3
seal ring for 8 - 10 mm Ø	9 0 0 4
seal ring for 10 - 12.5 mm Ø	9 0 0 5



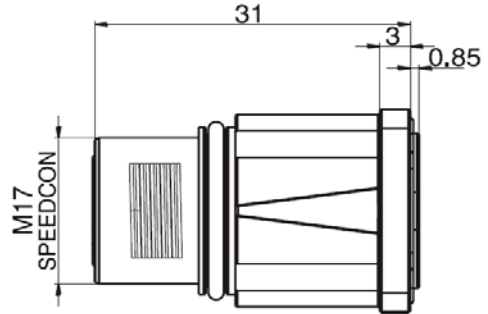
Shielded Connectors M17/Speedcon Series ST
 fits all ST-Cable Connectors with coupling nut
 Shell style WQ/W4 (front mount receptacles)

mounting dimensions

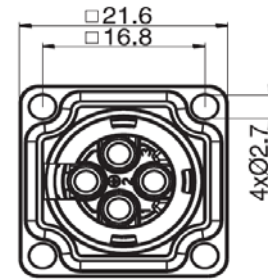
bore holes



side view with
O-ring axial




top view



Assembly instructions: pages: B-D-41
 Caps and accessories: pages: B-H-01...
 Mounting tools: N/A
 Crimp tool for contacts: pages B-B-00...
 Crimp contacts: pages B-C-20.....

We also deliver as a connector set.
 Connector with crimp insert - and
 contacts separate included. Please ask for P/N.



Part Number	ST-	x	x	x	1	N	8	A	W	x	x	x	S
Please fill in the first 7 digits of your desired connector insert (4-17 positions) from pages B-A-50....													
Connector with axial O-ring, flange with 4 holes 2.7 mm Ø the insert is fixed with the installation of the connector									W	Q	0	0	
Connector with axial O-ring, flange with 4 holes 2.7 mm Ø the insert should be snapped in before mounting									W	4	0	0	

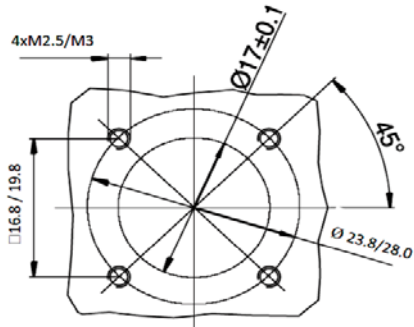




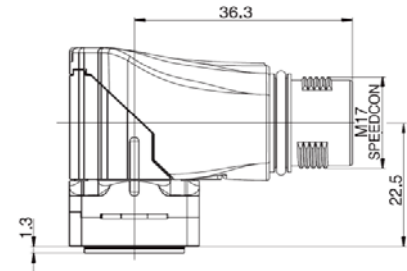
Shielded Connectors M17/Speedcon Series ST
 fits all ST-Cable Connectors with coupling nut
 Shell style AD/AC (front mount receptacles)

mounting dimensions

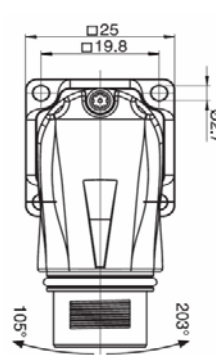
bore holes AD, AC



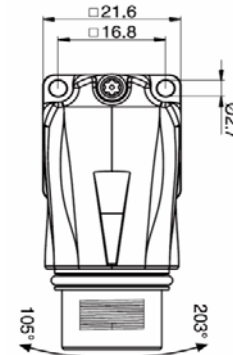
side view with O-ring axial



AC



AD



- Assembly instructions: page B-D-39
- Caps and accessories: pages: B-H-01...
- Mounting tools: page B-E-00...
- Crimp tool for contacts: pages: B-B-00...
- Crimp contacts: pages: B-C-20.....

We also deliver as a connector set.
 Connector with crimp insert - and contacts separate included. Please ask for P/N.



Part Number **ST-** x x x 1 N 8 A A x x x S

Please fill in the first 7 digits of your desired connector insert (4-17 positions) from pages B-A-50....

Connector with axial O-ring, flange with 4 holes 2.7 mm Ø flange □21.6 mm A D 0 0

Connector with axial O-ring, flange with 4 holes 2.7 mm Ø flange □25.0 mm A C 0 0

Rotatable 203° -- 105°

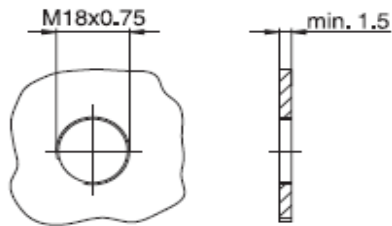




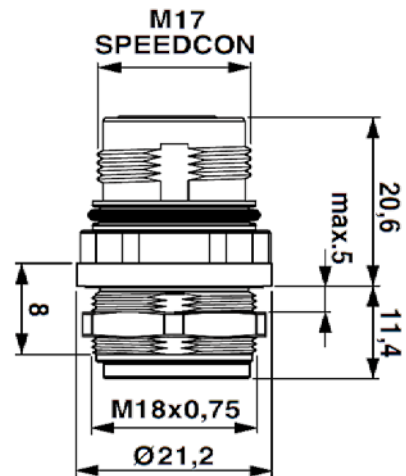
Shielded Connectors M17/Speedcon Series ST
 fits all ST-Cable Connectors with coupling nut
 Shell style 61 (front mount receptacles)

mounting dimensions

bore holes




side view with
O-ring axial



Assembly instructions: pages B-D-37
 Caps and accessories: pages B-H-00...
 Mounting tools: N/A
 Crimp tool for contacts: pages B-B-00...
 Crimp contacts: pages B-C-20.....

We also deliver as a connector set.
 Connector with crimp insert - and
 contacts separate included. Please ask for P/N.



Part Number	ST-	x	x	x	1	N	8	A	x	x	x	x	S
-------------	-----	---	---	---	---	---	---	---	---	---	---	---	---

Please fill in the first 7 digits of your desired connector insert (4-17 positions) from pages B-A-50....

Connector with round flange 6 1 0 0
 Hex nut from the back (Please order separate)
 Hex Nut M18 x 0.75 ST-E2015151

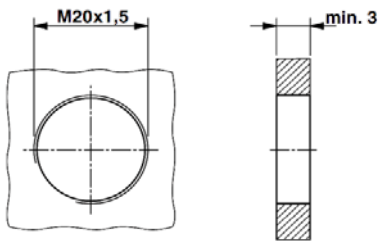




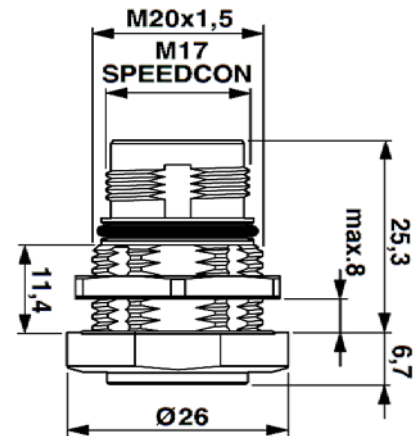
Shielded Connectors M17/Speedcon Series ST
 fits all ST-Cable Connectors with coupling nut
 Shell style H1 (rear mount receptacles)

mounting dimensions

bore holes




side view with
O-ring axial



Assembly instructions: pages B-D-40
 Caps and accessories: pages B-H-00...
 Mounting tools: N/A
 Crimp tool for contacts: pages B-B-00...
 Crimp contacts: pages B-C-20.....

We also deliver as a connector set.
 Connector with crimp insert - and
 contacts separate included. Please ask for P/N.



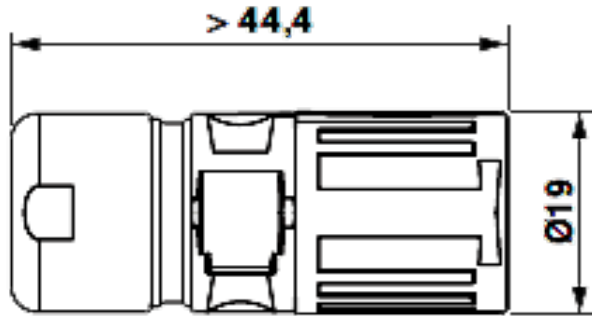
Part Number	ST-	x	x	x	1	N	8	A	x	x	x	x	S
-------------	-----	---	---	---	---	---	---	---	---	---	---	---	---

Please fill in the first 7 digits of your desired connector insert (4-17 positions) from pages B-A-50....

Connector with round flange H 1 0 0
 Hex nut from the front (Please order separate)
 Hex Nut M20 x 1.5 RC-13041



Shielded Connectors M17/Speedcon Series ST
 fits all ST- Bulkhead
 Shell style 8KxxS



Short Version

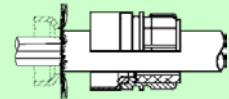


Assembly instructions: page B-D-38
 Caps and accessories: pages: B-H-01...

Mounting tools: N/A

Crimp tool for contacts: pages B-B-00...
 Crimp contacts: pages B-C-20.....

All ST-connectors with universal shielding material for different jacket and shield diameters.

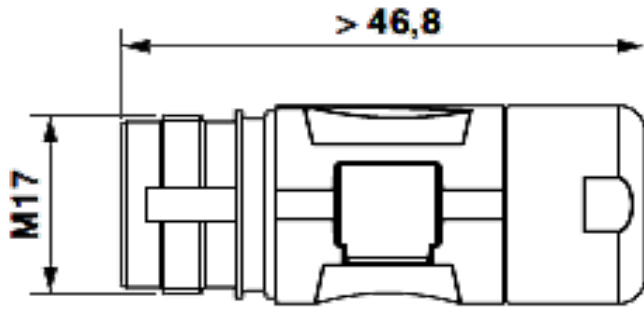


We also deliver as a connector set.
 Connector with crimp insert - and contacts separate included. Please ask for P/N.



Part Number	ST-	x	x	x	1	N	8	A	8	K	0	x	x
Please fill in the first 7 digits of your desired connector insert (4-17 positions) from pages B-A-50....													
Connectors with integrated strain relief and....													
seal ring for 3.5 - 5.5 mm Ø									8	K	0	2	S
seal ring for 5 - 9 mm Ø									8	K	0	3	S
seal ring for 9 - 11 mm Ø									8	K	0	4	S

Shielded Connectors M17/Speedcon Series ST
 fits all ST- Bulkheads or Cables
 Shell style 9KxxS



Short Version

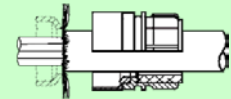


Assembly instructions: page B-D-38
 Caps and accessories: pages: B-H-01...

Mounting tools: N/A

Crimp tool for contacts: pages B-B-00...
 Crimp contacts: pages B-C-20.....

All ST-connectors with universal shielding material for different jacket and shield diameters.



We also deliver as a connector set.
 Connector with crimp insert - and contacts separate included. Please ask for P/N.



Part Number

ST- x x x 1 N 8 A 9 K 0 x x

Please fill in the first 7 digits of your desired connector insert (4-17 positions) from pages B-A-50....

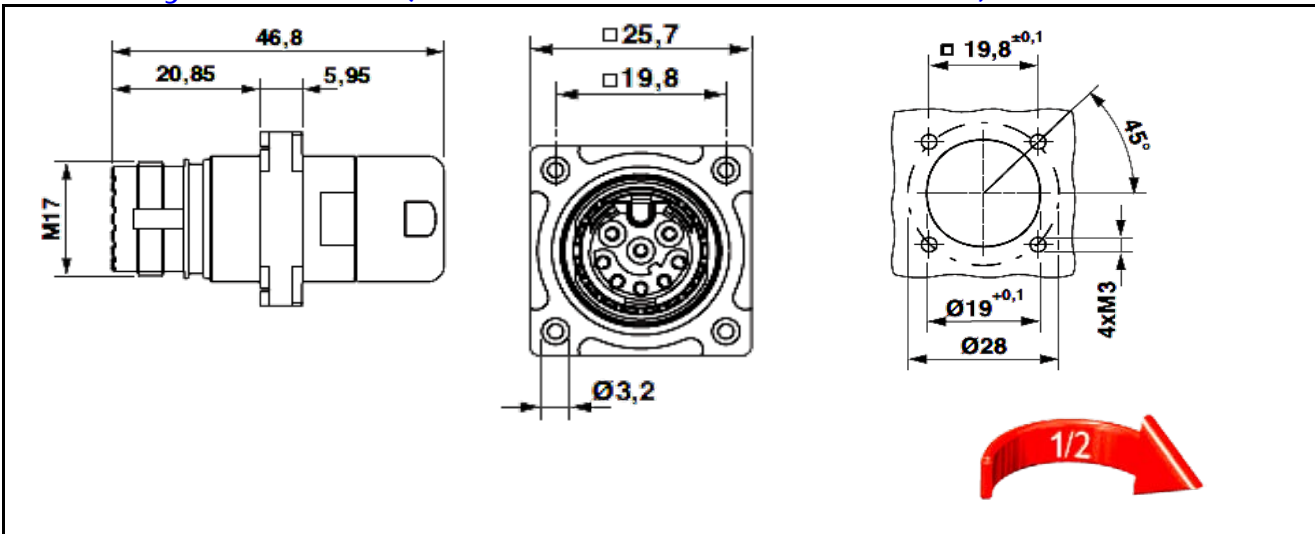
Connectors with integrated strain relief and....

seal ring for 3.5 - 5.5 mm Ø	9	K	0	2	S
seal ring for 5 - 9 mm Ø	9	K	0	3	S
seal ring for 9 - 11 mm Ø	9	K	0	4	S



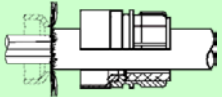
Shielded Connectors M17/Speedcon Series ST
fits all ST-Cables

Shell style CKxxS (front mount and rear mount)




Assembly instructions: page B-D-38
Caps and accessories: pages B-H-01...
Mounting tools: N/A
Crimp tool for contacts: pages B-B-00...
Crimp contacts: pages B-C-20.....

All ST-connectors with universal shielding material for different jacket and shield diameters.



We also deliver as a connector set.
Connector with crimp insert - and contacts separate included. Please ask for P/N.



Part Number	ST-	x	x	x	1	N	8	A	C	K	0	x	x
-------------	-----	---	---	---	---	---	---	---	---	---	---	---	---

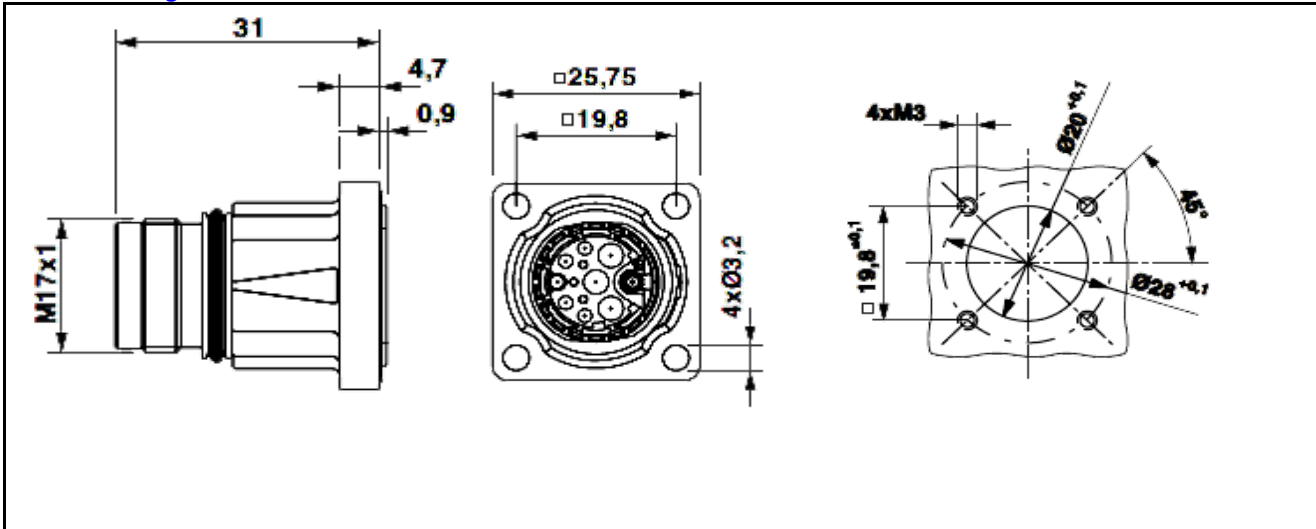
Please fill in the first 7 digits of your desired connector insert (4-17 positions) from pages B-A-50....

Connectors with integrated strain relief and....

seal ring for 3.5 - 5.5 mm Ø	C	K	0	2	S
seal ring for 5 - 9 mm Ø	C	K	0	3	S
seal ring for 9 - 11 mm Ø	C	K	0	4	S




Shielded Connectors M17/Speedcon Series ST
 fits all ST-Cables
 Shell style WKxxS



Assembly instructions: page B-D-41
 Caps and accessories: pages: B-H-01...
 Mounting tools: N/A
 Crimp tool for contacts: pages B-B-00...
 Crimp contacts: pages B-C-20.....

We also deliver as a connector set.
 Connector with crimp insert - and contacts separate included. Please ask for P/N.



Part Number	ST-	x	x	x	1	N	8	A	W	K	0	0	S
-------------	-----	---	---	---	---	---	---	---	---	---	---	---	---

Please fill in the first 7 digits of your desired connector insert (4-17 positions) from pages B-A-50....

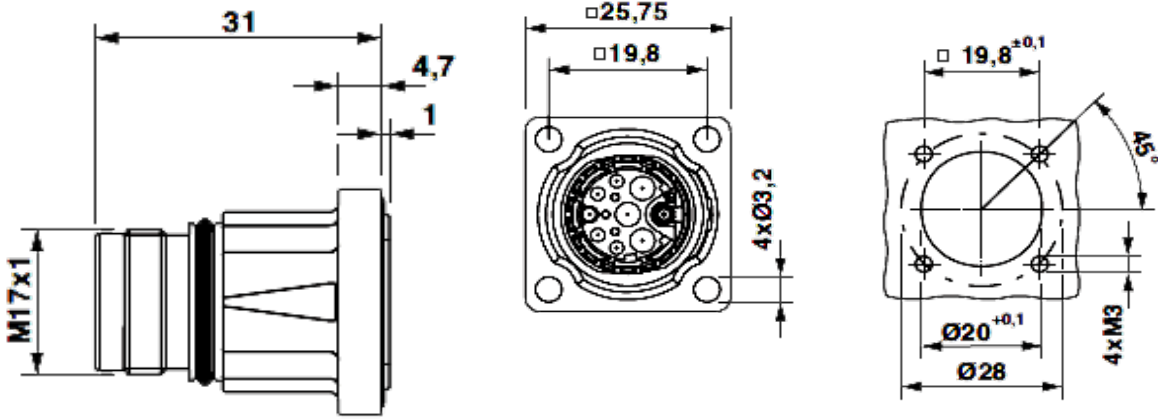
Connectors with integrated strain relief and....

the insert should be snapped in before mounting square flange connector, 25.75 x 25.75 front mount, with axial O-ring with outside thread M 17/Speedcon

W K 0 0 S



Shielded Connectors M17/Speedcon Series ST
 fits all ST-Cables
 Shell style W5xxS



Assembly instructions: page B-D-41
 Caps and accessories: pages: B-H-01...
 Mounting tools: N/A
 Crimp tool for contacts: pages B-B-00...
 Crimp contacts: pages B-C-20.....

We also deliver as a connector set.
 Connector with crimp insert - and
 contacts separate included. Please ask for P/N.



Part Number	ST-	x	x	x	1	N	8	A	W	5	0	0	S
-------------	-----	---	---	---	---	---	---	---	---	---	---	---	---

Please fill in the first 7 digits of your desired connector insert (4-17 positions) from pages B-A-50....

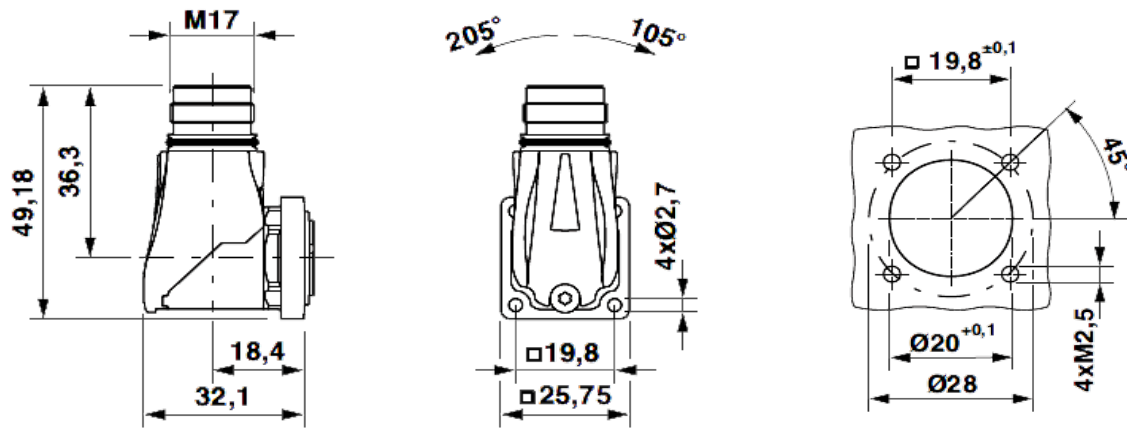
Connectors with integrated strain relief and....

the insert is fixed with the installation of the connector
 square flange connector, 25.75 x 25.75
 front mount, with axial O-ring
 with outside thread M 17/Speedcon

W 5 0 0 S



Shielded Connectors M17/Speedcon Series ST
 fits all ST-Cables
 Shell style A4xxS



Assembly instructions: page B-D-39
 Caps and accessories: pages: B-H-01...

Mounting tools: N/A

Crimp tool for contacts: pages B-B-00...
 Crimp contacts: pages B-C-20.....

We also deliver as a connector set.
 Connector with crimp insert - and
 contacts separate included. Please ask for P/N.



Part Number **ST-** x x x 1 N 8 A A 4 0 0 S

Please fill in the first 7 digits of
 your desired connector insert (4-17 positions)
 from pages B-A-50....

Connectors with integrated strain relief and....

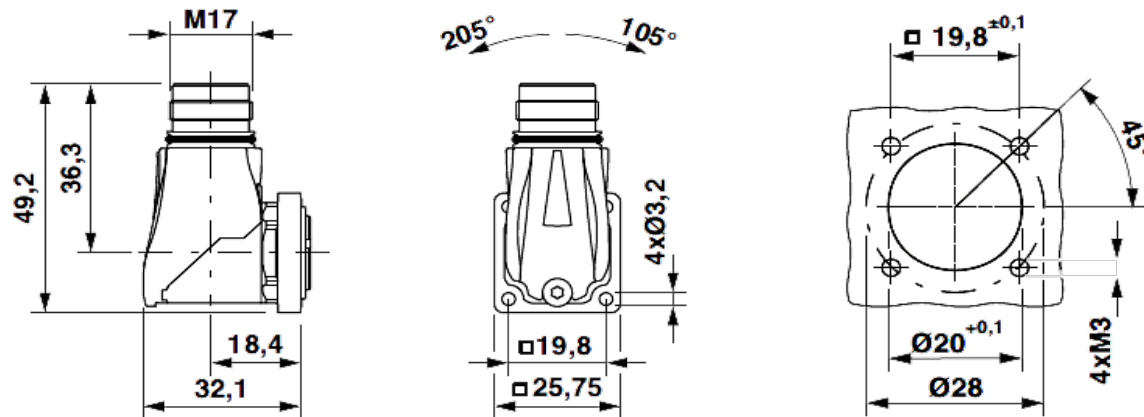
4 holes with 2.7 mm
 square flange connector, 25.75 x 25.75
 front mount, with axial O-ring
 with outside thread M 17/Speedcon

A 4 0 0 S






Shielded Connectors M17/Speedcon Series ST
fits all ST-Cables
Shell style A5xxS



Assembly instructions: page B-D-39
Caps and accessories: pages: B-H-01...
Mounting tools: N/A
Crimp tool for contacts: pages B-B-00...
Crimp contacts: pages B-C-20.....

We also deliver as a connector set. Connector with crimp insert - and contacts separate included. Please ask for P/N.



Part Number	ST-	x	x	x	1	N	8	A	A	5	0	0	S
Please fill in the first 7 digits of your desired connector insert (4-17 positions) from pages B-A-50....													
Connectors with integrated strain relief and....													
4 holes with 3.2 mm square flange connector, 25.75 x 25.75 front mount, with axial O-ring with outside thread M 17/Speedcon													
										A 5 0 0 S			

