



Member of the Phoenix Contact Group

U C Series

Shielded Connectors M23
The shielded and robust standard version

Connectors M23 Series UC

Technical Data



Shell material

Machined components: Copper-Zinc alloy (CuZn)
 die cast components: Zinc (GD-Zn)
 Shell plating: Nickel (Ni) plated
 Cable entry: max. 18 mm



Insulator

Connector inserts: Thermoplastic polyester (PBT), Polyamid (PA66),

Contacts

Contact material: Copper-Zinc alloy (CuZn)
 Contact plating: Nickel (Ni) with gold (Au) passivated
 Contact termination: Solder cup, crimp type, screw type



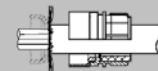
Sealing

Sealing rings: Fluor rubber (FPM)
 Gaskets: Fluor rubber (FPM), or Perbunan (NBR) stiffened gaskets

Temperature

Temperature (long term) Celsius: -40 °C up to +125°C
 Temperature (long term) Fahrenheit: - 40 °F up to + 257 °F

All connectors with universal shielding material for different jacket and shield diameters.



Mating

Female coupling nuts: M23 screw locking
 Male receptacles: M23 screw locking
 Mating cycles: Standard min. 50

Protection


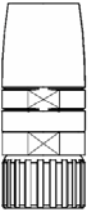
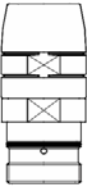
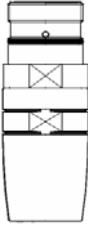
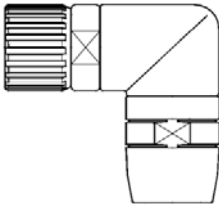
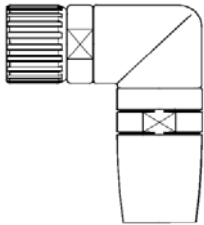
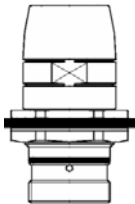
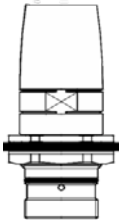
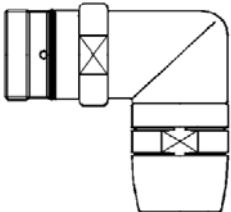
Protection class : IP 67 (mated) depends on which cable gland is used

EMC shielding

Number of positions	6,7	9 (8+1)	9 (6+3)	12	16	17	19 (16+3)
Number of contacts	6,7	8 1	6 3	12	16	17	16 3
Contact dia. (mm Ø)	2	1 2	1 2	1	1	1	1 1.5
Rated current at 25°C (A)	20	8 20	8 20	8	8	8	8 10
Rated voltage (V)	250	150	150	150	150	150	150
Test voltage (Volt AC)	2,500	1,500	1,500	1,500	1,500	1,500	1,500
Overvoltage category DIN EN 61984-2001	II	II	II	II	II	II	II
Insulation resistance (Ω)	≥10 ¹⁶	≥10 ¹⁶	≥10 ¹²	≥10 ¹²	≥10 ¹²	≥10 ¹²	≥10 ¹²
Contact resistance (mΩ)	≤3	≤3	≤3	≤3	≤3	≤3	≤3
Pollution degree acc. to IEC 664-1	2 (3 ¹)	2 (3 ¹)	2 (3 ¹)	2 (3 ¹)	2 (3 ¹)	2 (3 ¹)	2 (3 ¹)

Shielded Cable Connectors M23 Series UC
Shell styles 8, R, 9, F, T, N, Q, 9W



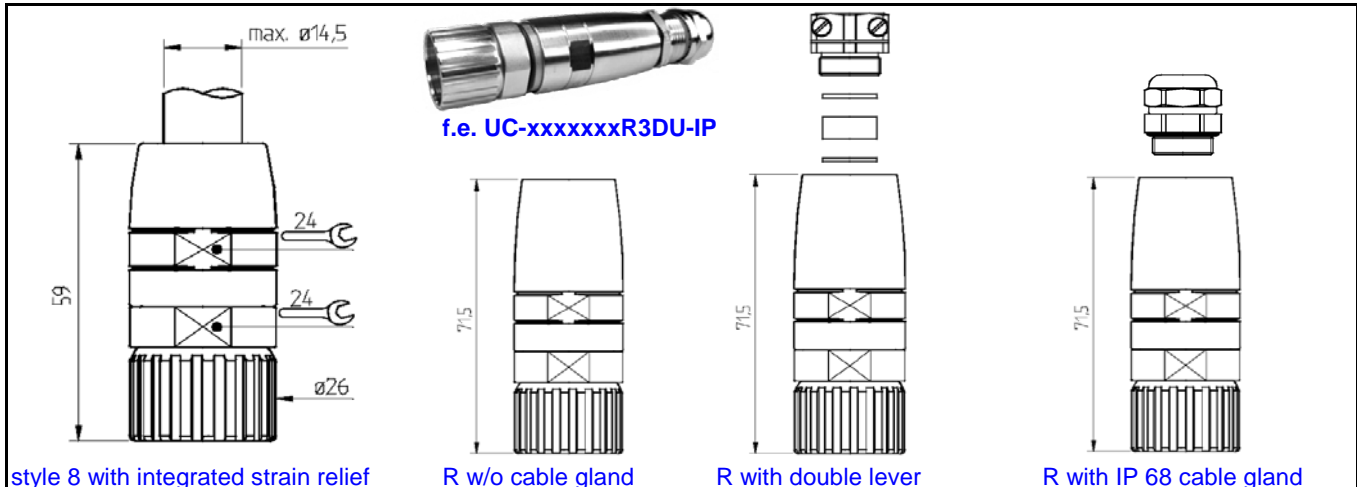
<p>UC-xxxxxxx8xxx page C-G-04</p>	<p>UC-xxxxxxRxxx page C-G-04</p>	<p>UC-xxxxxxx9xxx page C-G-05</p>
<p>cable connector straight with female coupling nut cable entry max 14.5 mm universal shielding material</p>	<p>cable connector straight with female coupling nut cable entry max 18 mm universal shielding material</p>	<p>cable connector straight with male thread cable entry max. 14.5 mm universal shielding material</p>
 <p>style 8</p>	 <p>style R</p>	 <p>style 9</p>
<p>UC-xxxxxxxFxxx page C-G-05</p>	<p>UC-xxxxxxxTxxx page C-G-06</p>	<p>UC-xxxxxxxNxxx page C-G-06</p>
<p>cable connector straight with male thread cable entry max. 18 mm universal shielding material</p>	<p>cable connector right angled with female coupling nut cable entry max. 14.5mm universal shielding material</p>	<p>cable connector right angled with female coupling nut cable entry max. 18mm universal shielding material</p>
 <p>style F</p>	 <p>style T</p>	 <p>style N</p>
<p>UC-xxxxxxxQxxx page C-G-07</p>	<p>UC-xxxxxxxQxxx page C-G-07</p>	<p>UC-xxxxxxx9WDU page C-G-08</p>
<p>cable connector straight with male thread cable entry max. 14.5 mm universal shielding material rear mount, round flange</p>	<p>cable connector straight with male thread cable entry max. 18 mm universal shielding material rear mount, round flange</p>	<p>cable connector right angled with male thread cable entry max. 14.5 mm universal shielding material</p>
 <p>style Q</p>	 <p>style Q3/QN</p>	 <p>style 9WDU</p>



Shielded Cable Connector M23 Series UC

fits all UC/RC cable/bulkhead connectors with male thread

Shell style 8/R



style 8 with integrated strain relief

R w/o cable gland

R with double lever

R with IP 68 cable gland

Caps and accessories: pages B-H-01...
Mounting tools: pages B-E-01...
Assembly instructions: page B-D-07
Crimp tools for contacts: pages B-B-01...
Crimp contacts: pages B-C-01...

We also deliver as a connector set.
 Connector with crimp insert - and the contacts are separate included.
 Please ask for P/N

Part Number	UC-	X	X	X	X	X	X	X	X	X	X	X	X	X	X	
with brass/ni coupling	UC-	Here please fill in the first 7 digits														
with red coupling nut	UCRD-	of your desired connector insert														
with yellow coupling nut	UCYE-	(6-19 positions) from														
with green coupling nut	UCGN-	the page B-A-01														
with blue coupling nut	UCBL-	to page B-A-29														
Connector with integrated strain relief and univ. seal ring 3-14.5 mm Ø																
Connector without cable inlet for terminations (dummy)																
Connectors with integrated strain relief, universal seal ring and.....																
endbell without cable gland, open threading PG 13.5																
endbell with double lever cable gland PG 13.5 (10-14 mm)																
endbell with IP 68 cable gland PG 13.5 (8-13 mm)																
endbell without cable gland, open threading PG 16																
endbell with double lever cable gland PG 16 (11-15 mm)																
endbell with IP 68 cable gland PG 16 (8-14 mm)																

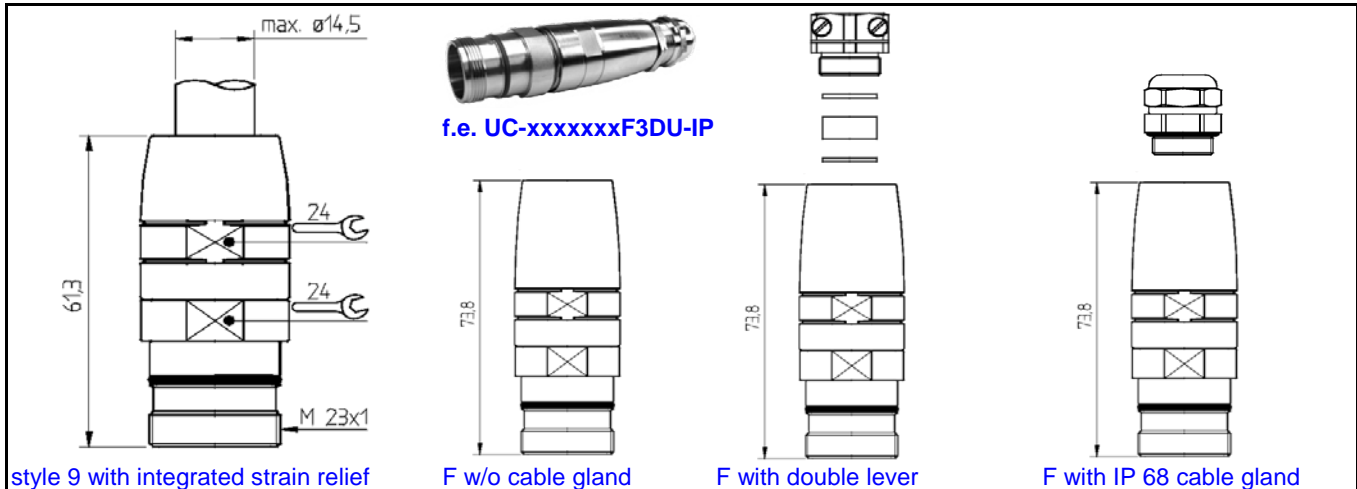




Shielded Cable Connector M23 Series UC

fits all UC/RC cable connectors with female coupling nut

Shell style 9/F



style 9 with integrated strain relief
 F w/o cable gland
 F with double lever
 F with IP 68 cable gland

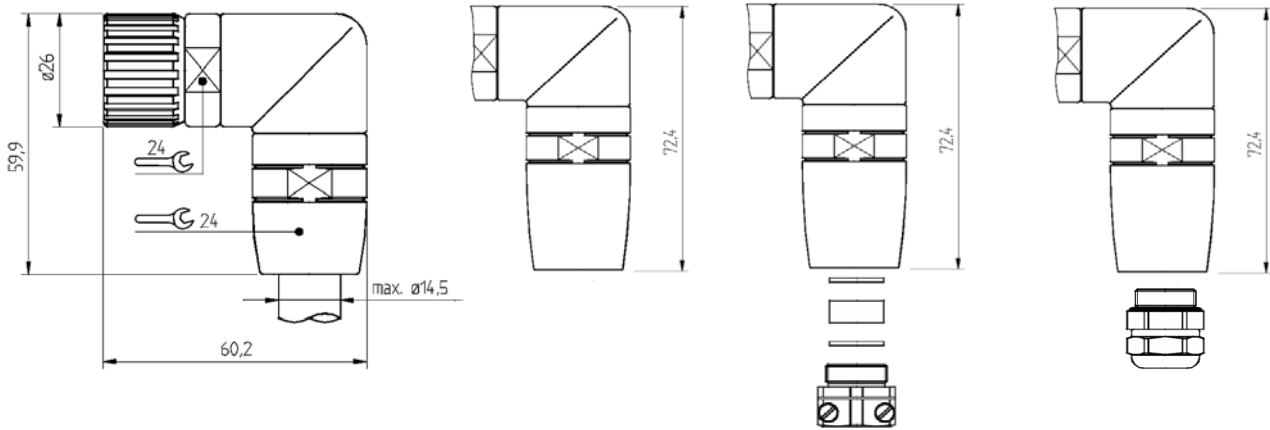
Caps and accessories: pages B-H-01...
Mounting tools: pages B-E-01...
Assembly instructions: page B-D-07
Crimp tools for contacts: pages B-B-01...
Crimp contacts: pages B-C-01...

We also deliver as a connector set.
 Connector with crimp insert - and the contacts are separate included.
 Please ask for P/N

Part Number	UC-	X	X	X	X	X	X	X	X	X	X	X	X	X	X	
with black O-ring	UC-	Here please fill in the first 7 digits														
with red O-ring	UCRD-	of your desired connector insert														
with yellow O-ring	UCYE-	(6-19 positions) from														
with green O-ring	UCGN-	the page B-A-01														
with blue O-ring	UCBL-	to page B-A-29														
Connector with integrated strain relief and univ. seal ring 3-14.5 mm Ø									9	0	D	U				
Connector without cable inlet for terminations (dummy)									9	2	N	N				
Connectors with integrated strain relief, universal seal ring and.....																
endbell without cable gland, open threading PG 13.5									F	3	D	U				
endbell with double lever cable gland PG 13.5 (10-14 mm)									F	3	D	U	-	D	L	
endbell with IP 68 cable gland PG 13.5 (8-13 mm)									F	3	D	U	-	I	P	
endbell without cable gland, open threading PG 16									F	N	D	U				
endbell with double lever cable gland PG 16 (11-15 mm)									F	N	D	U	-	D	L	
endbell with IP 68 cable gland PG 16 (8-14 mm)									F	N	D	U	-	I	P	



Shielded Cable Connector M23 Series UC
 fits all RC bulkhead connectors with male thread
 Shell style T/N



style T with integrated strain relief

N w/o cable gland

N with double lever

N with IP 68 cable gland

Caps and accessories: pages B-H-01...
Mounting tools: pages B-E-01...
Assembly instructions: page B-D-07
Crimp tools for contacts: pages B-B-01...
Crimp contacts: pages B-C-01...

We also deliver as a connector set.
 Connector with crimp insert - and the contacts are separate included.
 Please ask for P/N

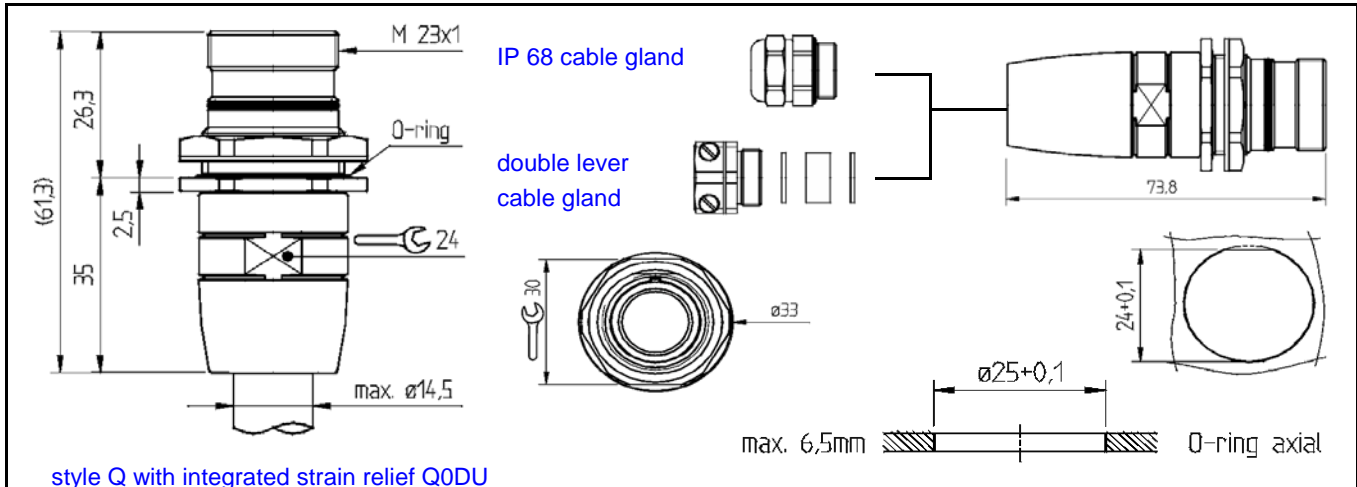
Part Number	UC-	X	X	X	X	X	X	X	X	X	X	X	X	-	X	X	
with brass/ni coupling	UC-	Here please fill in the first 7 digits															
with red coupling nut	UCRD-	of your desired connector insert															
with yellow coupling nut	UCYE-	(6-19 positions) from															
with green coupling nut	UCGN-	the page B-A-01															
with blue coupling nut	UCBL-	to page B-A-29															
Connector with integrated strain relief and univ. seal ring 3-14.5 mm Ø										T	0	D	U				
Connector without cable inlet for terminations (dummy)										T	2	N	N				
Connectors with integrated strain relief, universal seal ring and.....																	
endbell without cable gland, open threading PG 13.5										N	3	D	U				
endbell with double lever cable gland PG 13.5 (10-14 mm)										N	3	D	U	-	D	L	
endbell with IP 68 cable gland PG 13.5 (8-13 mm)										N	3	D	U	-	I	P	
endbell without cable gland, open threading PG 16										N	N	D	U				
endbell with double lever cable gland PG 16 (11-15 mm)										N	N	D	U	-	D	L	
endbell with IP 68 cable gland PG 16 (8-14 mm)										N	N	D	U	-	I	P	



Shielded Cable Connector M23 Series UC

fits all RC/UC cable connectors with female coupling nut

Shell style Q



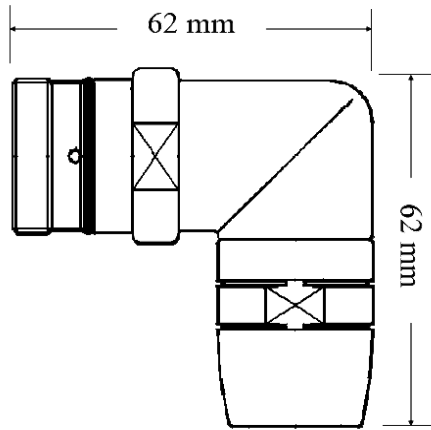
- Caps and accessories:** pages B-H-01...
- Mounting tools:** pages B-E-01...
- Assembly instructions:** page B-D-07
- Crimp tools for contacts:** pages B-B-01...
- Crimp contacts:** pages B-C-01...

We also deliver as a connector set. Connector with crimp insert - and the contacts are separate included. Please ask for P/N

Part Number	UC-	X	X	X	X	X	X	X	X	X	X	X	-	X	X																
with brass washer/black O-ring	UC-	Here please fill in the first 7 digits																													
with red washer/O-ring	UCRD-	of your desired connector insert																													
with yellow washer/O-ring	UCYE-	(6-19 positions) from																													
with green washer/O-ring	UCGN-	the page B-A-01																													
with blue washer/O-ring	UCBL-	to page B-A-29																													
Connector with integrated strain relief and univ. seal ring 3-14.5 mm Ø																Q	0	D	U												
Connectors with integrated strain relief, universal seal ring and.....																															
endbell without cable gland, open threading PG 13.5																Q	3	D	U												
endbell with double lever cable gland PG 13.5 (10-14 mm)																Q	3	D	U	-	D	L									
endbell with IP 68 cable gland PG 13.5 (8-13 mm)																Q	3	D	U	-	I	P									
endbell without cable gland, open threading PG 16																Q	N	D	U												
endbell with double lever cable gland PG 16 (11-15 mm)																Q	N	D	U	-	D	L									
endbell with IP 68 cable gland PG 16 (8-14 mm)																Q	N	D	U	-	I	P									



Shielded Cable Connector M23 Series UC
 fits all RC/UC connectors with female coupling nut
 Shell style 9WDU



for cable diameter
7.7 to 14.5 mm

Caps and accessories: pages B-H-01...
Mounting tools: pages B-E-01...
Assembly instructions: page B-D-07
Crimp tools for contacts: pages B-B-01...
Crimp contacts: pages B-C-01...

We also deliver as a connector set.
 Connector with crimp insert - and
 the contacts are separate included.
 Please ask for P/N



Part Number	UC-	x	x	x	x	x	x	x	9	W	D	U	
with black O-ring	UC-	Here please fill in the first 7 digits											
with red O-ring	UCRD-	of your desired connector insert											
with yellow O-ring	UCYE-	(6-19 positions) from											
with green O-ring	UCGN-	the page B-A-01											
with blue O-ring	UCBL-	to page B-A-29											

